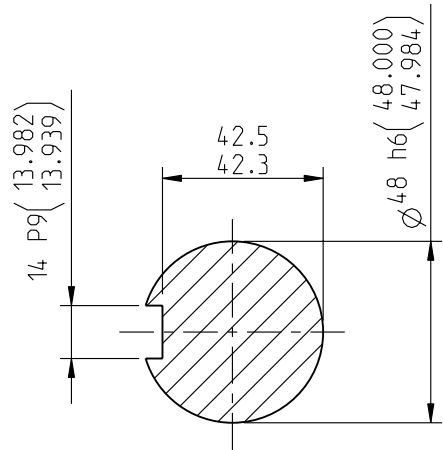
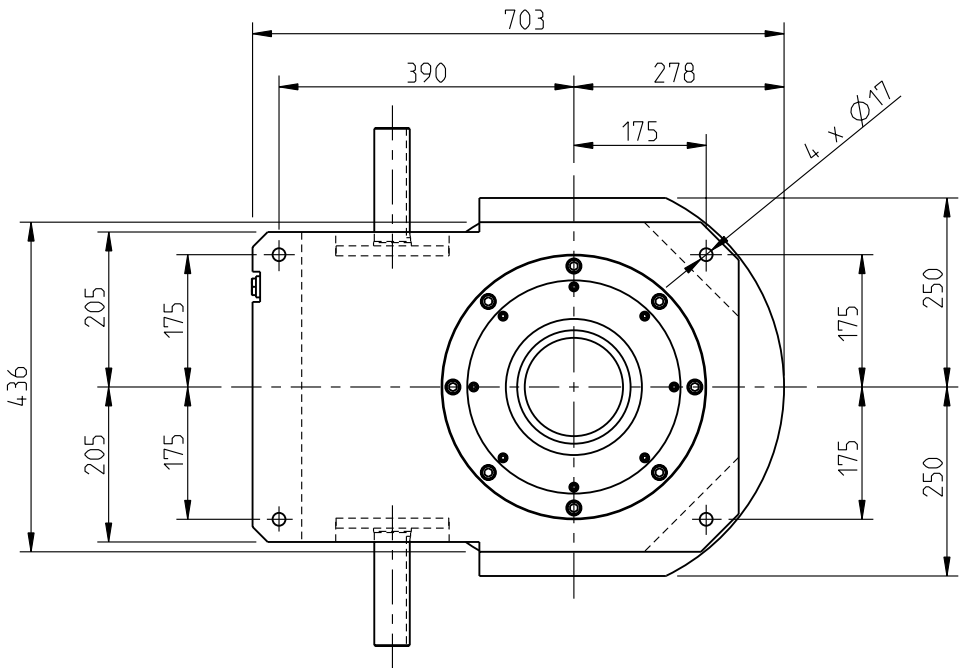
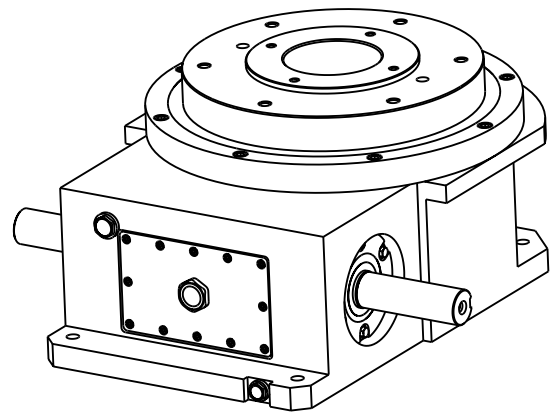
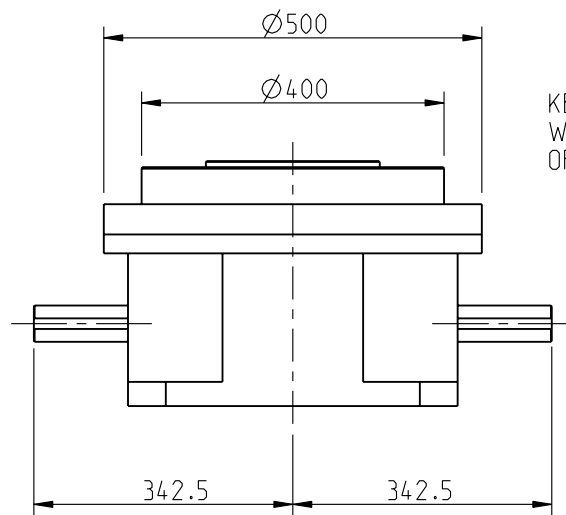


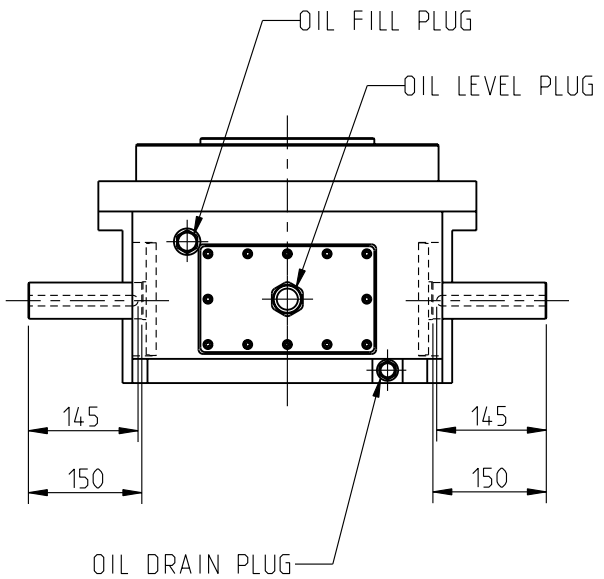
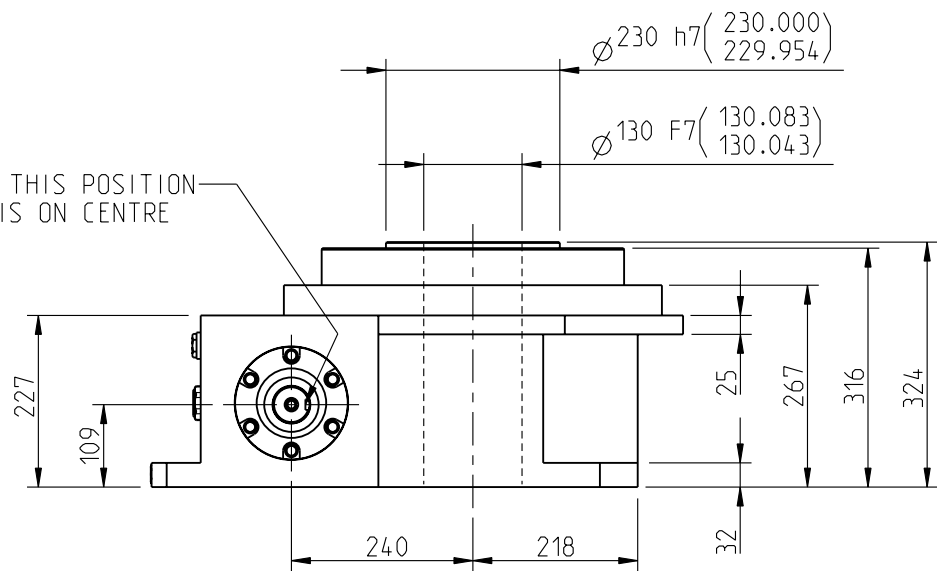
SIZE	RT240
No OF STOPS	
MOTION LAW	
INDEX ANGLE	
CAM GEOMETRY	
CAM TYP	
CAM HANDING	
MOUNTING POS.	
MOUNTING FACE	
INPUT SHAFT P.	



SECTION X-X (SCALE 1:2)
TYPICAL SECTION THRO'
INPUT SHAFTS



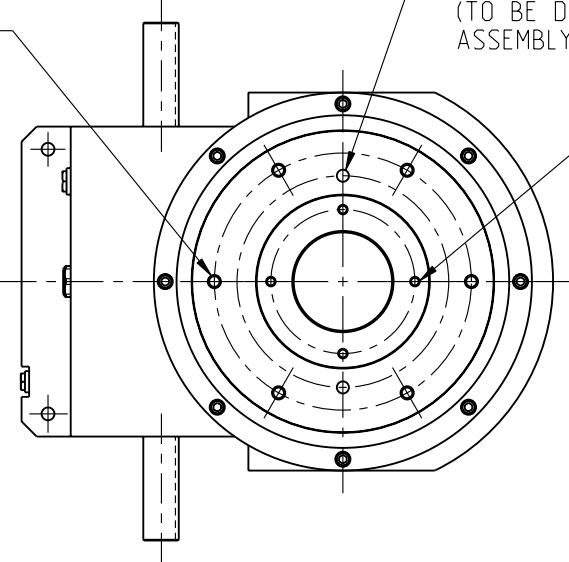
KEYWAY IN THIS POSITION
WHEN CAM IS ON CENTRE
OF DWELL



6-HOLES TAPPED M16 x 2.0 x 48 DEEP
EQUI-SPACED ON 340 P.C.D.
(A TAPPED HOLE WILL APPEAR IN THIS
POSITION WHEN CAM IS ON DWELL)

2-HOLES TO SUIT Ø16 DOWELS
EQUI-SPACED ON 280 P.C.D.
(TO BE DRILLED BY CUSTOMER ON
ASSEMBLY 35 DEEP MAX.)

4-HOLES TAPPED M12 x 1.75 x 27 DEEP
EQUI-SPACED ON 190.5 P.C.D.
(TO SUIT OVERLOAD CLUTCH)



		Massstab	Datum	Name	Material		
Bearb.					All. Toleranz	SN 258440-f	
Gepr.					Ersetzt durch		
Plot					Ersatz fuer		
h					inmara Successful Solutions RT240 WITHOUT CENTRE POST INSTALLATION DRAWING		
g							
f							
e							
d							
c					RT240_CLOG1		
b							
a					Witzbergstr. 23 CH-8330 Pfaeffikon		
Nr.	Aenderung	Datum	Name	Schutzvermerk n. DIN 34 beach.			EDV Nr.
						Blatt	1
							1 BL