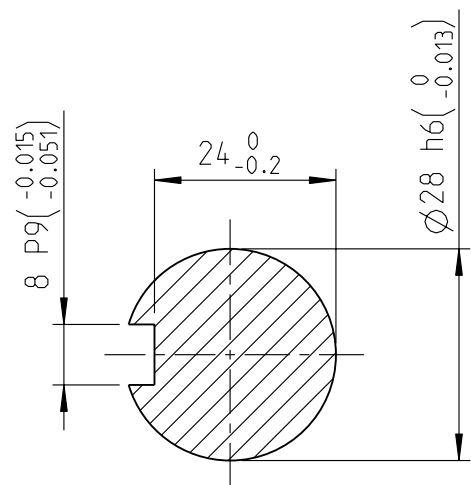
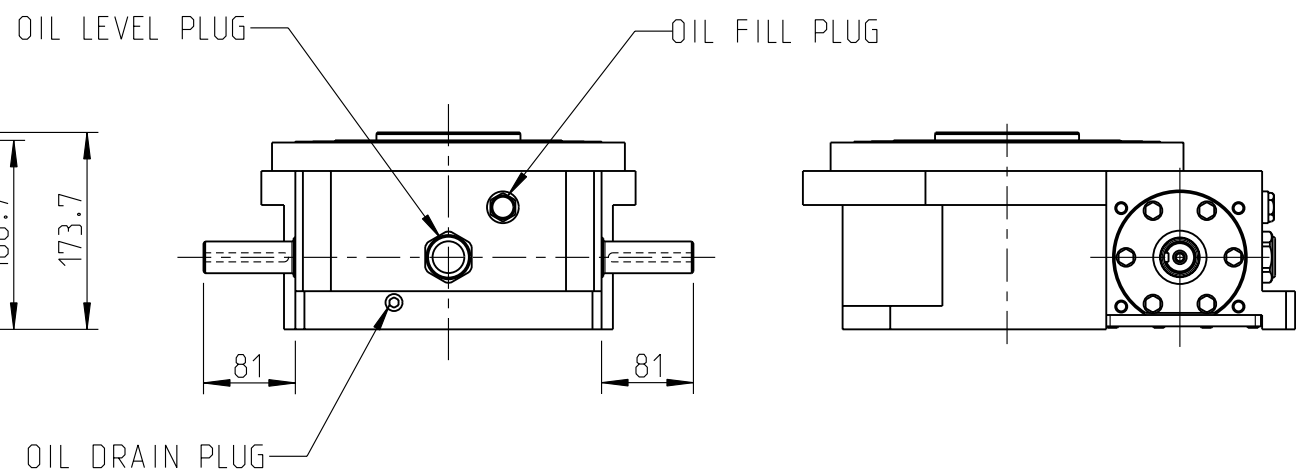
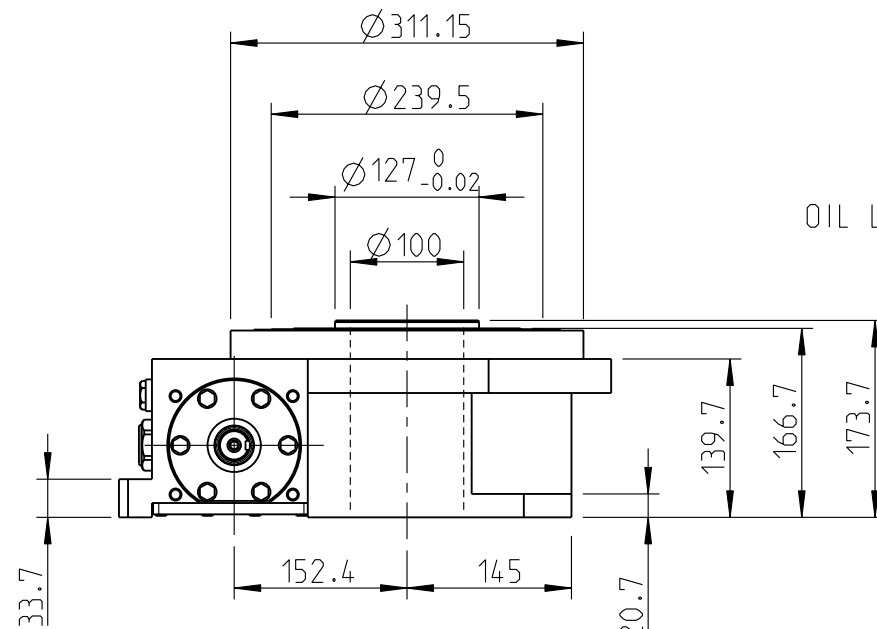
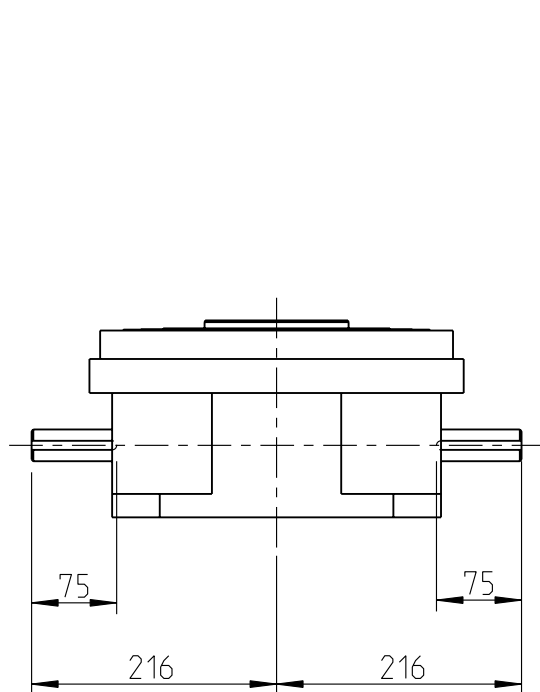
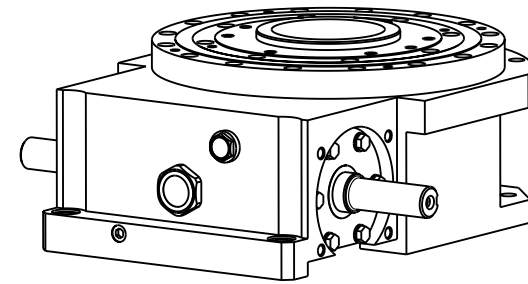
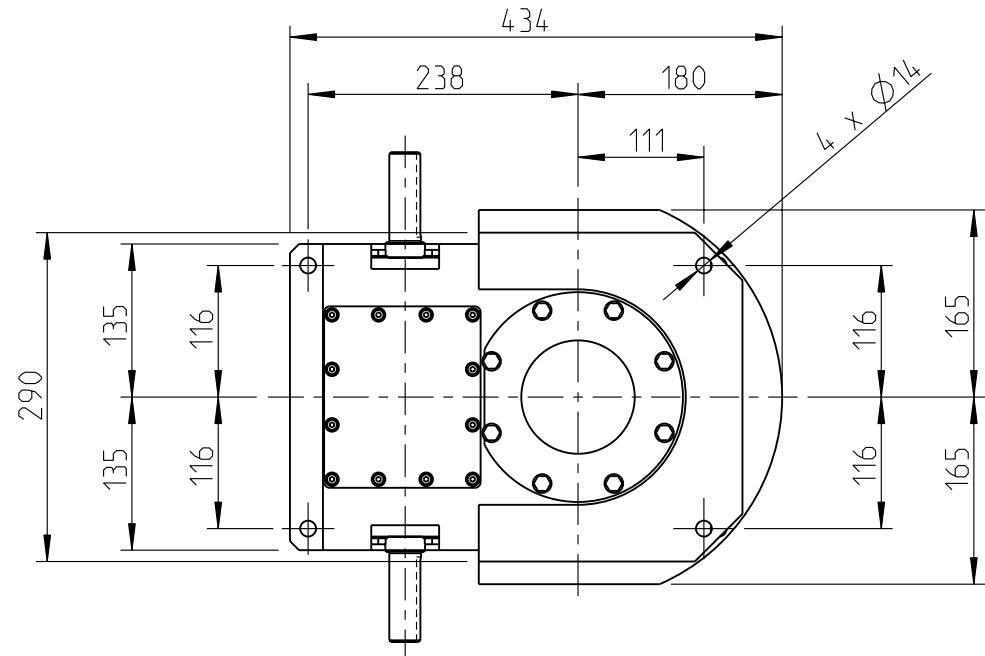


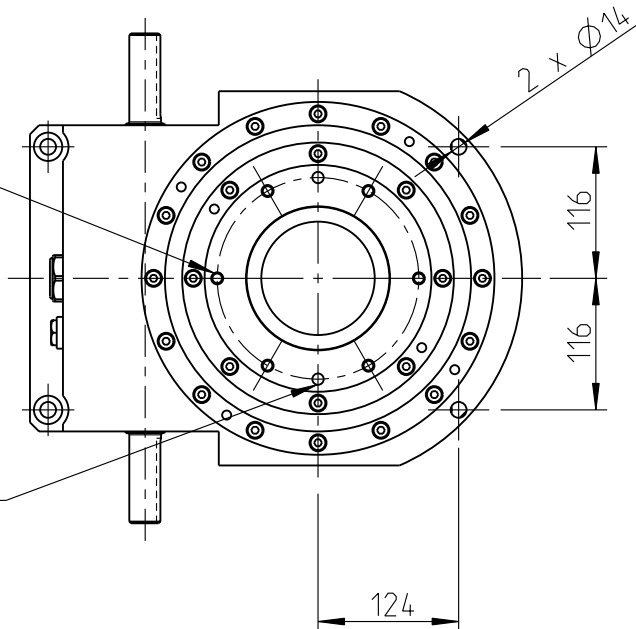
| | |
|----------------|-------|
| SIZE | RT150 |
| No OF STOPS | |
| MOTION LAW | |
| INDEX ANGLE | |
| CAM GEOMETRY | |
| CAM TYP | |
| CAM HANDING | |
| MOUNTING POS. | |
| MOUNTING FACE | |
| INPUT SHAFT P. | |



TYP. SECTION THRO' INPUT SHAFTS SCALE 1.000



6-HOLES TAPPED M10 x 1.5P x 25 DEEP EQUI-SPACED ON 177.8 P.C.D. (A TAPPED HOLE WILL APPEAR IN THIS POSITION WHEN CAM IS ON DWELL)



2-HOLES TO SUIT Ø10 DOWELS EQUI-SPACED ON 177.8 P.C.D TO BE DRILLED BY CUTOMER ON ASSEMBLY x 25 DEEP MAX.

| | | | | | |
|-----|-----------|----------|------|---------------------------------------|----------------------|
| | Massstab | Datum | Name | Material | |
| | 0.150 | 04.04.03 | NRS | All. Toleranz SN 258440-f | |
| | | | | Ersetzt durch | |
| | | | | Ersatz fuer | |
| h | | | | RT150 INDEXER (SX90) | |
| g | | | | | INSTALLATION DRAWING |
| f | | | | Witzbergstr. 23 CH-8330 Pfaeffikon | RT150_CLOG1 |
| e | | | | | |
| d | | | | | |
| c | | | | | |
| b | | | | Blatt 1 | |
| a | | | | 1 BL | |
| Nr. | Aenderung | Datum | Name | Schutzvermerk n. DIN 34 beach. | EDV Nr. RT150_CLOG1 |