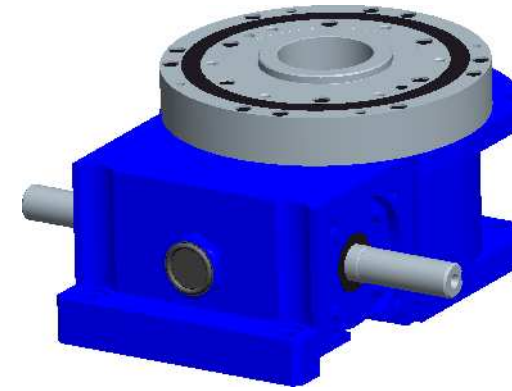
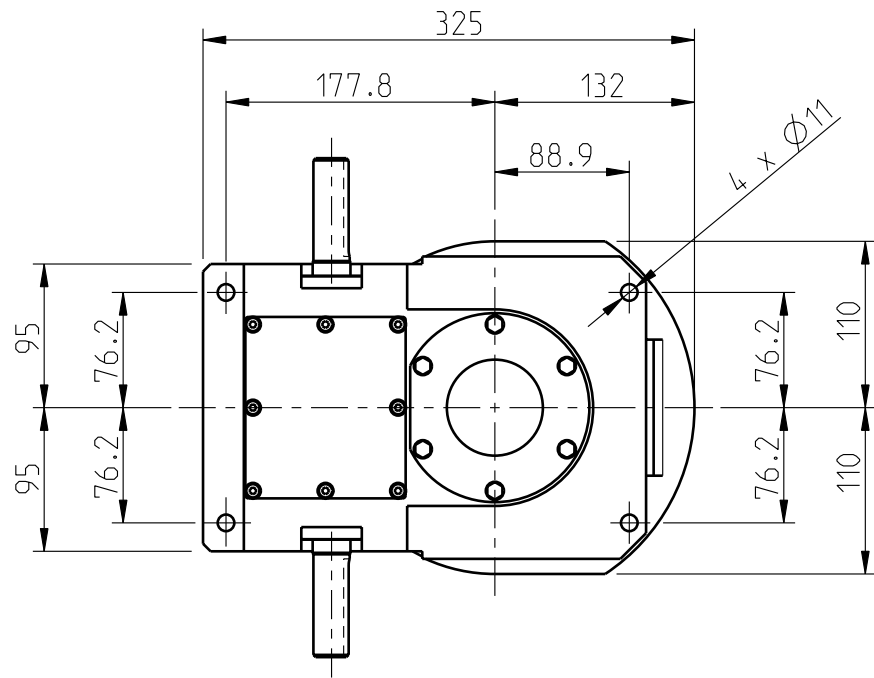
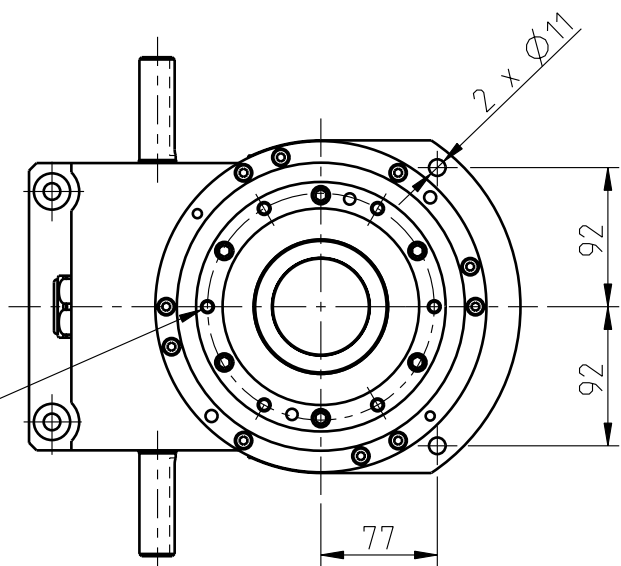
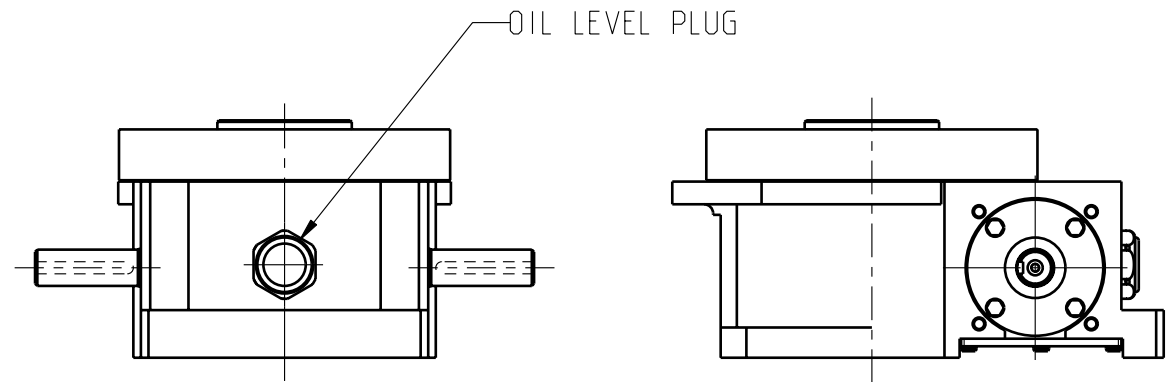
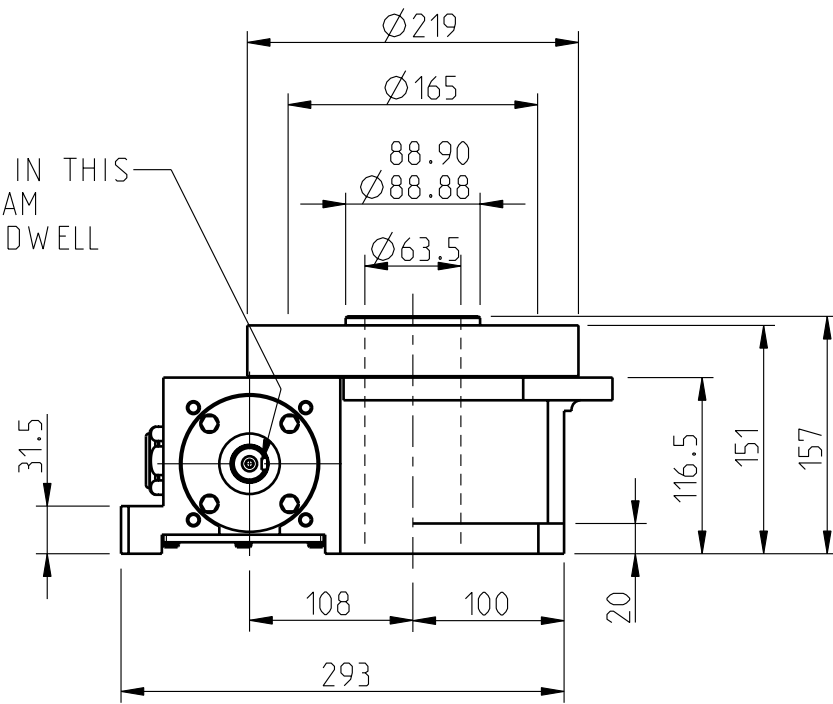
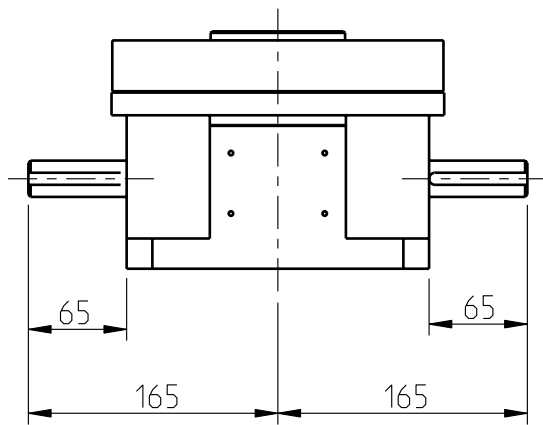


SECTION X-X (SCALE 1:1)
THRO' INPUT SHAFTS



SIZE	RT100
No OF STOPS	
MOTION LAW	
INDEX ANGLE	
CAM GEOMETRY	
CAM TYP	
CAM HANDING	
MOUNTING POS.	
MOUNTING FACE	
INPUT SHAFT P.	

KEYWAY WILL BE IN THIS POSITION WHEN CAM IS ON CENTRE OF DWELL



6-HOLES TAPPED M8 x 1.25P x 19 DEEP
EQUI-SPACED ON 150 P.C.D.
(A TAPPED HOLE WILL APPEAR IN THIS POSITION WHEN CAM IS ON DWELL)

	Masstab		Datum	Name	Material		
	1:5		27.03.09	ps	All. Toleranz	SN 258440-f	
					Ersetzt durch		
					Ersetzt fuer		
h							
g							
f							
e							
d							
c							
b					Witzbergstr. 23	RT100 Indexer	
a					CH-8330 Pfaeffikon		INSTALLATION DRAWING
Nr.	Aenderung	Datum	Name	Schutzvermerk n. DIN 34 beach.	EDV Nr.	RT100_CLOG1	Blatt 1
							1 BL