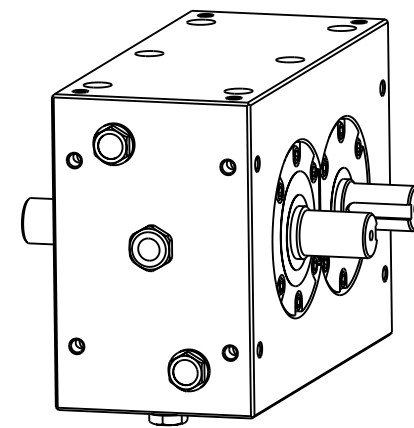
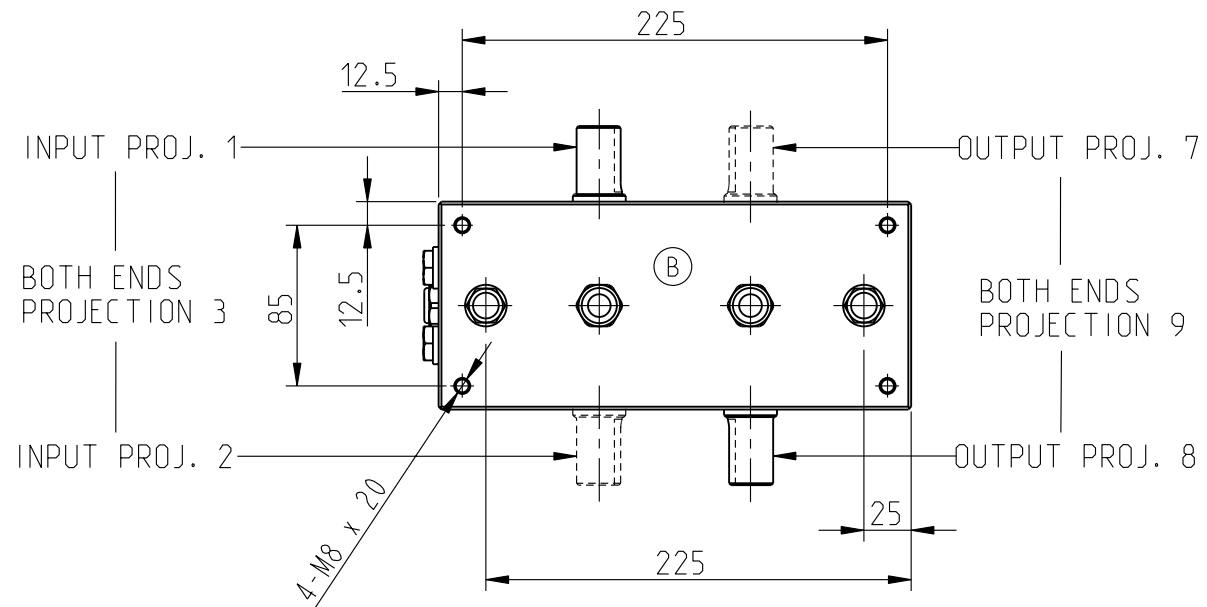
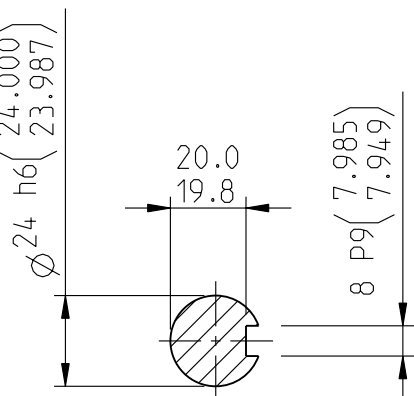
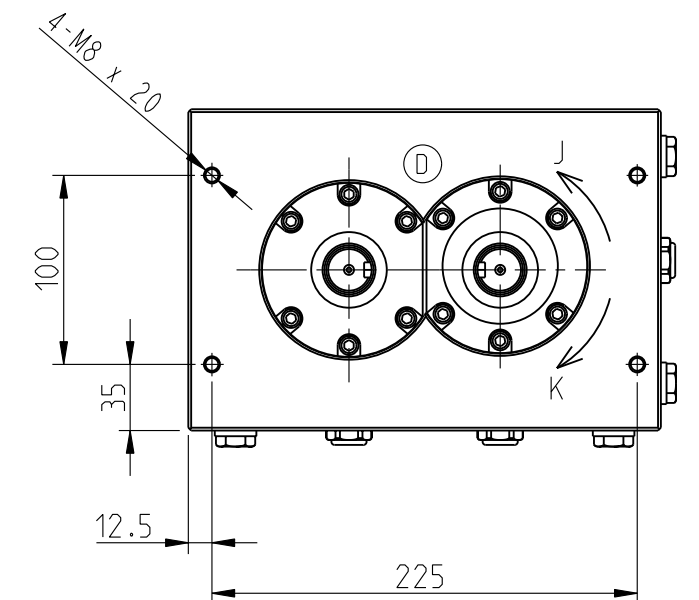
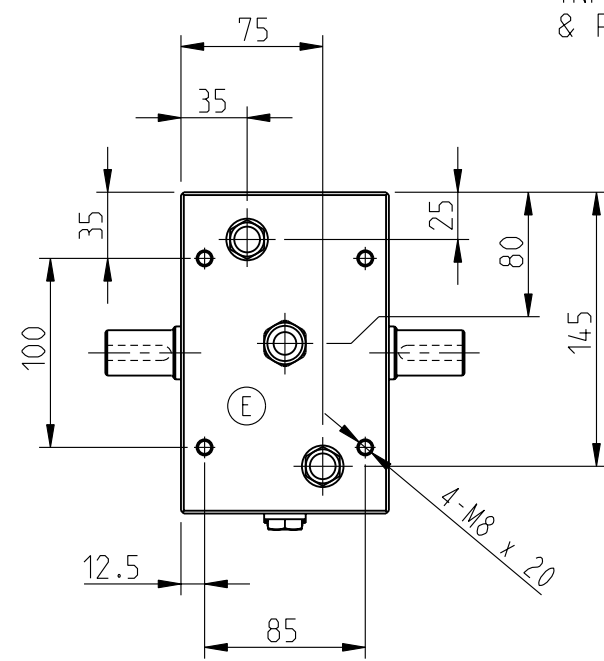
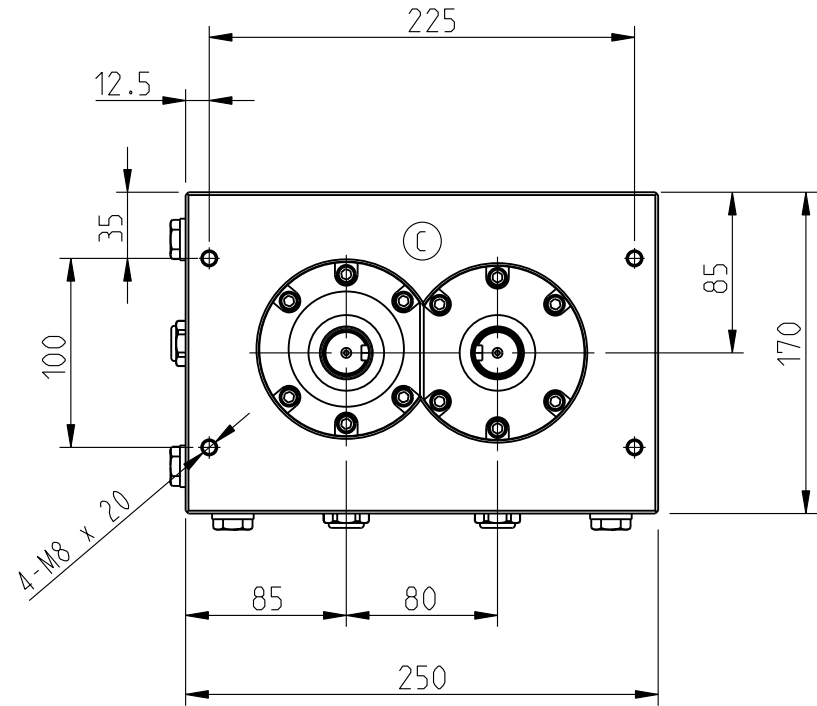
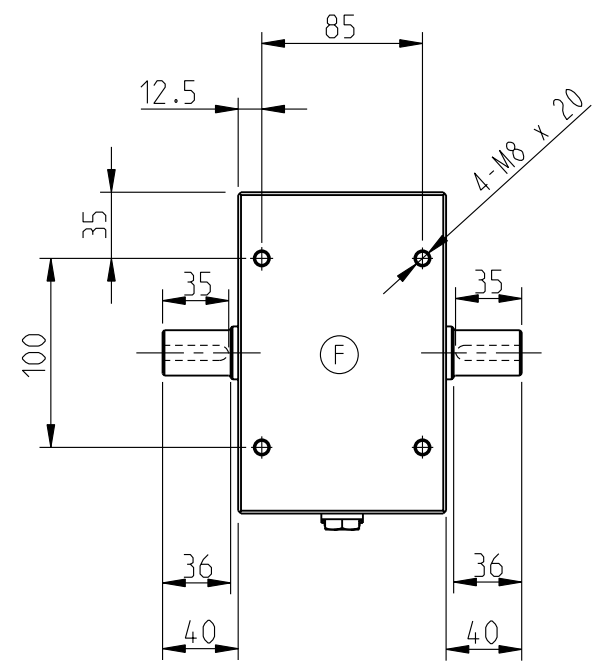


SECTION X-X (SCALE 1:2)
INPUT SHAFT

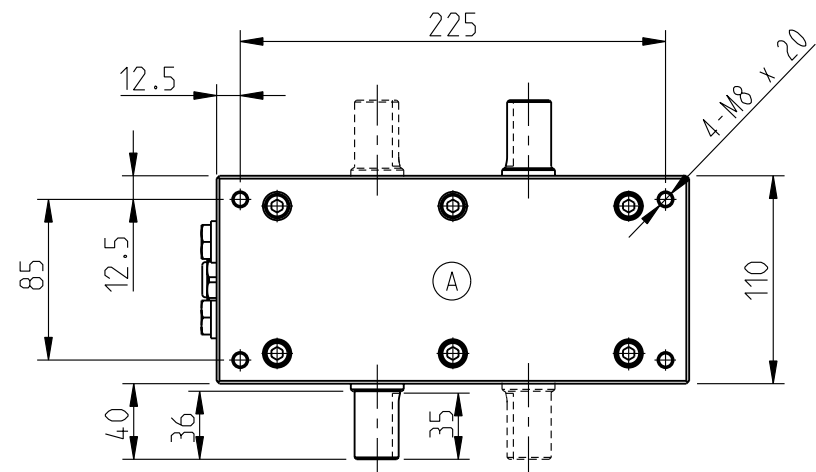


| | |
|----------------|------|
| SIZE | PC80 |
| No OF STOPS | |
| MOTION LAW | |
| INDEX ANGLE | |
| CAM GEOMETRY | |
| CAM TYP | |
| CAM HANDING | |
| MOUNTING POS. | |
| MOUNTING FACE | |
| INPUT SHAFT P. | |

KEYWAYS WILL BE IN THE POSITION SHOWN WHEN CAM IS ON THE CENTRE OF DWELL. INPUT SHAFT MAY ROTATE IN EITHER DIRECTION & PRODUCES OPPOSITE OUTPUT SHAFT ROTATION.



SECTION Y-Y (SCALE 1:2)
OUTPUT SHAFT



NOTE!
THE OIL PLUGS HAVE BEEN SHOWN FOR ALL POSSIBLE MOUNTING POSITIONS. IN A STANDARD UNIT THERE WILL BE 3 OIL PLUGS ON ANY ONE FACE. SHAFT PROJECTIONS 1 & 8 ARE STANDARD.

| | | | | | |
|-----|-----------|-------|------|--------------------------------------------------------------------------------|----------------------|
| | Massstab | Datum | Name | Material | |
| | Bearb. | | | All. Toleranz SN 258440-f | |
| | Gepr. | | | Ersetzt durch | |
| | Plot | | | Ersatz fuer | |
| h | | | | Inmara Successful Solutions Witzbergstr. 23 CH-8330 Pfaeffikon | |
| g | | | | | |
| f | | | | | |
| e | | | | | |
| d | | | | | |
| c | | | | | |
| b | | | | PC80 INDEXER INSTALLATION DRAWING PC80_CATALOG | |
| a | | | | | |
| Nr. | Aenderung | Datum | Name | Schutzvermerk n. DIN 34 beach. | EDV Nr. PC80_CATALOG |