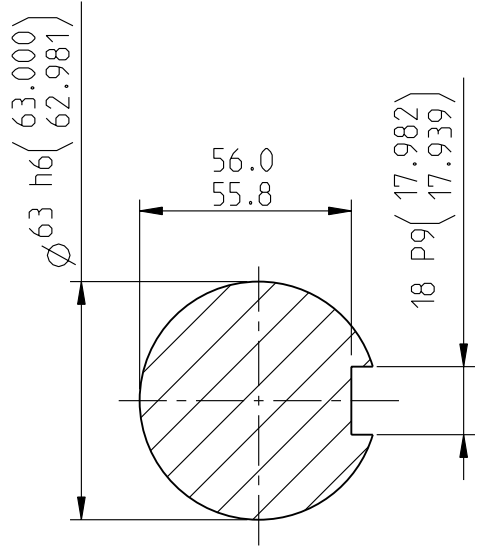
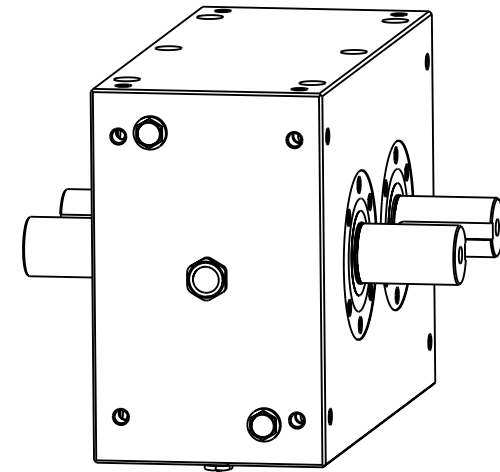
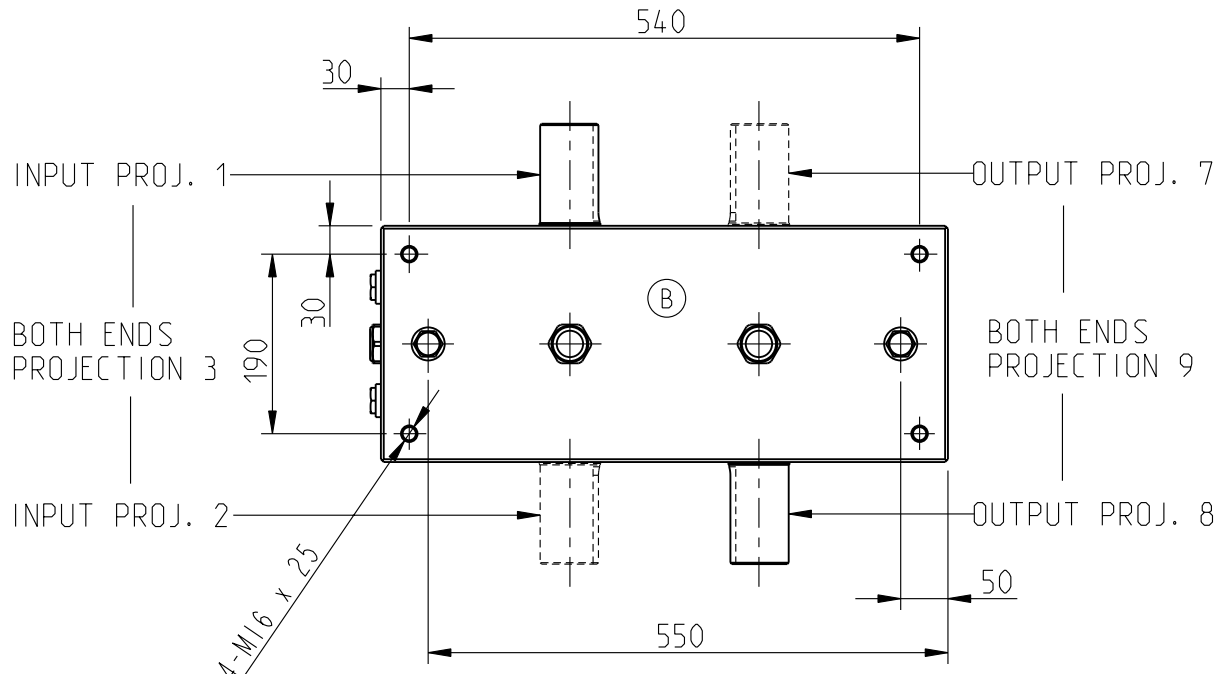


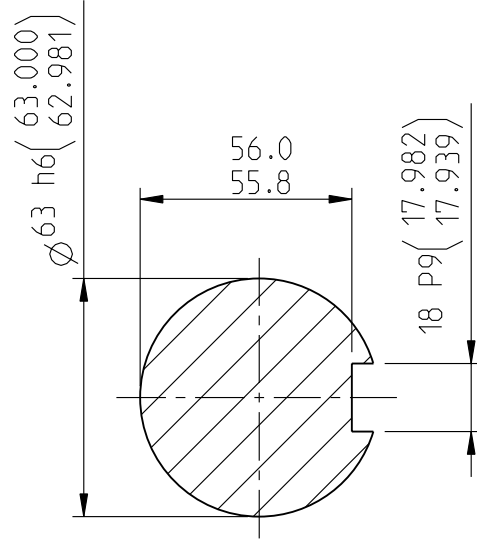
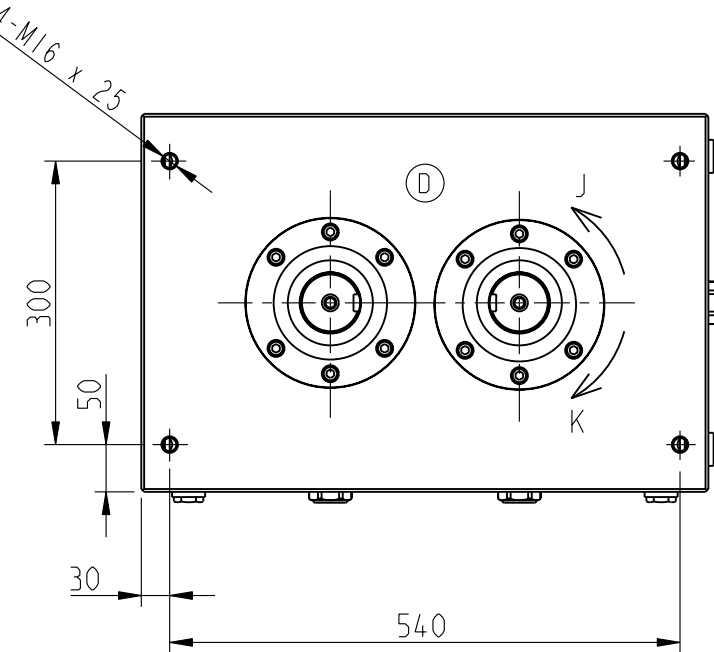
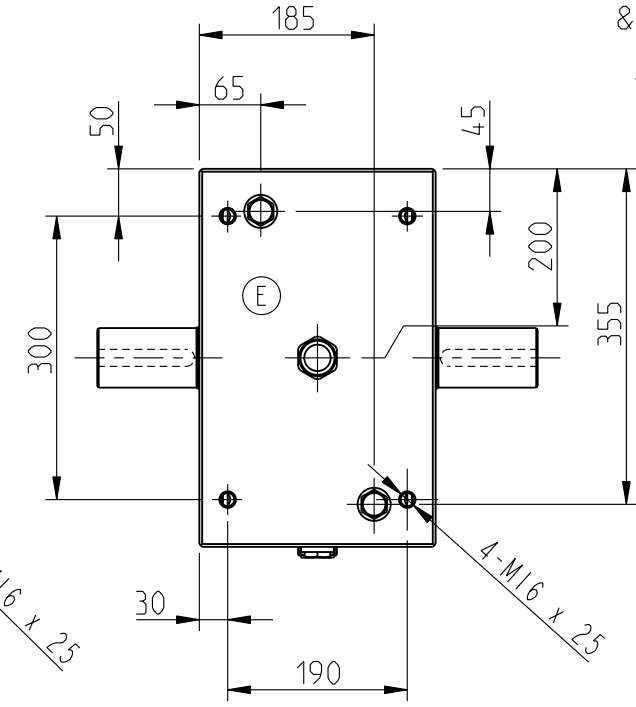
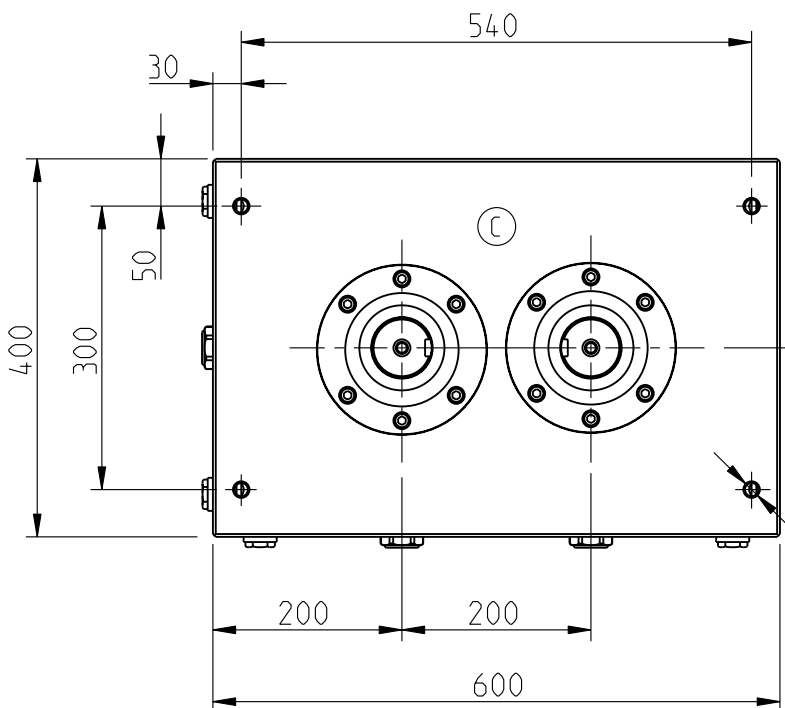
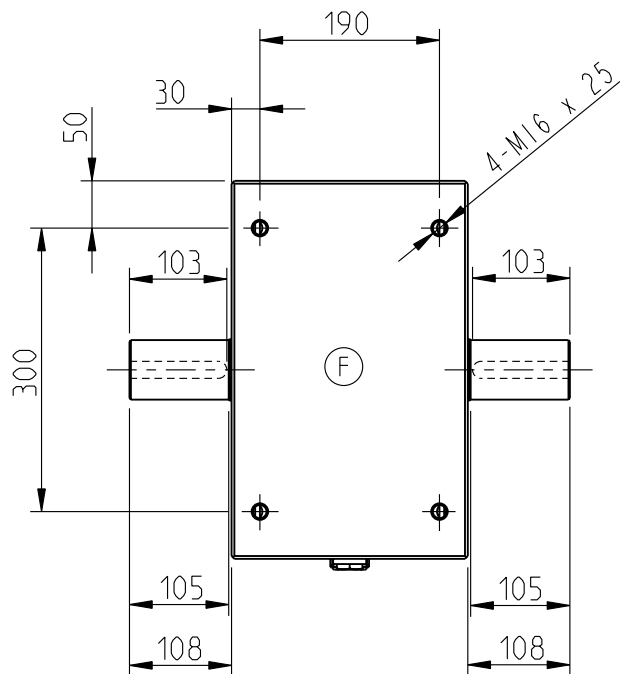
SIZE	PC200
No OF STOPS	
MOTION LAW	
INDEX ANGLE	
CAM GEOMETRY	
CAM TYP	
CAM HANDING	
MOUNTING POS.	
MOUNTING FACE	
INPUT SHAFT P.	



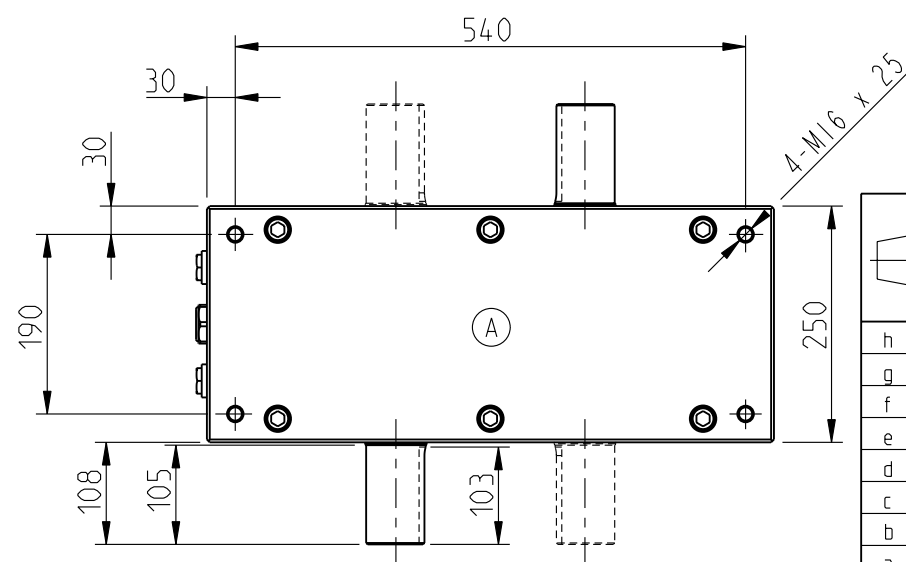
SECTION X-X (SCALE 1:2)
INPUT SHAFT



KEYWAYS WILL BE IN THE POSITION SHOWN WHEN CAM IS ON THE CENTRE OF DWELL. INPUT SHAFT MAY ROTATE IN EITHER DIRECTION & PRODUCES OPPOSITE OUTPUT SHAFT ROTATION.



SECTION Y-Y (SCALE 1:2)
OUTPUT SHAFT



NOTE!
THE OIL PLUGS HAVE BEEN SHOWN FOR ALL POSSIBLE MOUNTING POSITIONS. IN A STANDARD UNIT THERE WILL BE 3 OIL PLUGS ON ANY ONE FACE. SHAFT PROJECTIONS 1 & 8 ARE STANDARD.

		Massstab	Datum	Name	Material
h					SN 258440-f
g					All. Toleranz
f					Ersetzt durch
e					Ersatz fuer
d					
c					
b					
a					
Nr.	Aenderung	Datum	Name	Schutzvermerk n. DIN 34 beach.	EDV Nr. PC200_CATALOG

inmara
Successful Solutions
Witzbergstr. 23
CH-8330 Pfaeffikon

PC200 INDEXER
INSTALLATION DRAWING
PC200_CATALOG