

F

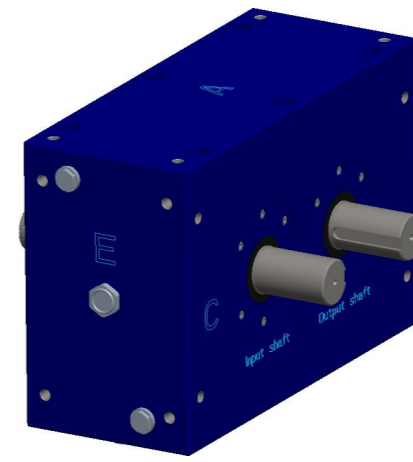
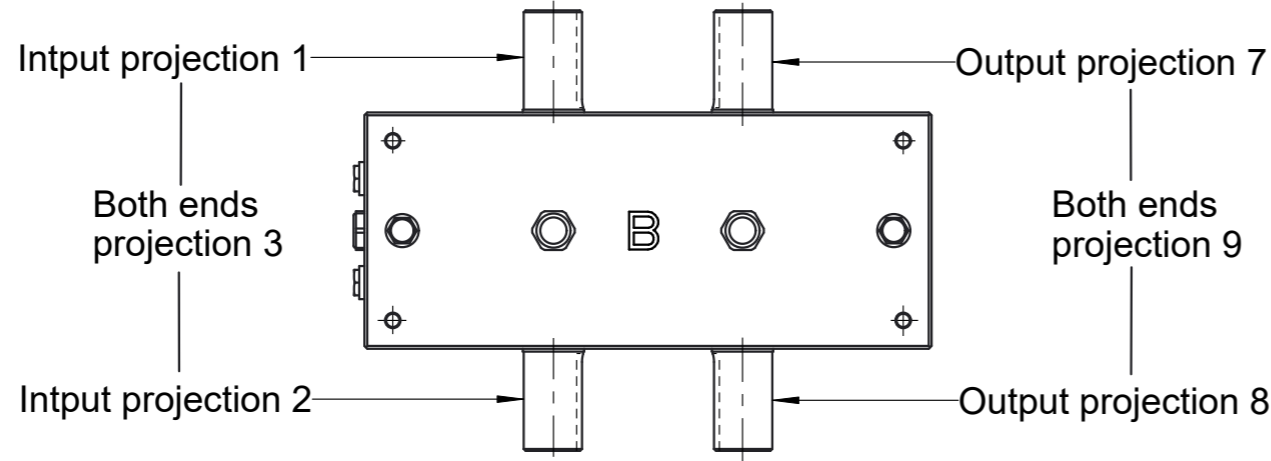
E

D

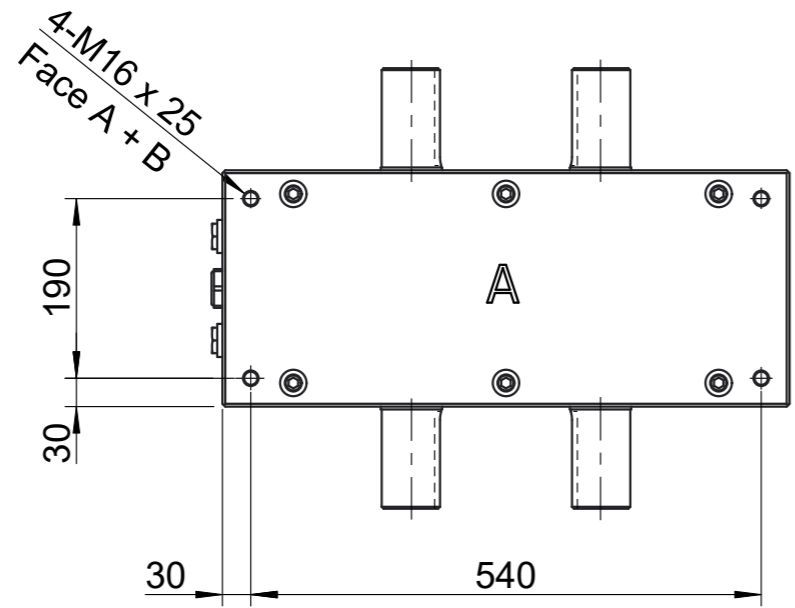
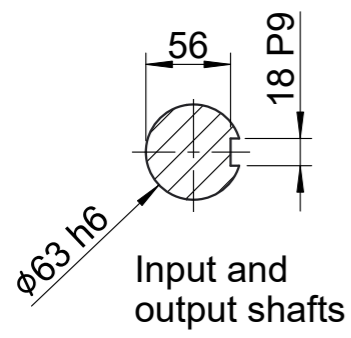
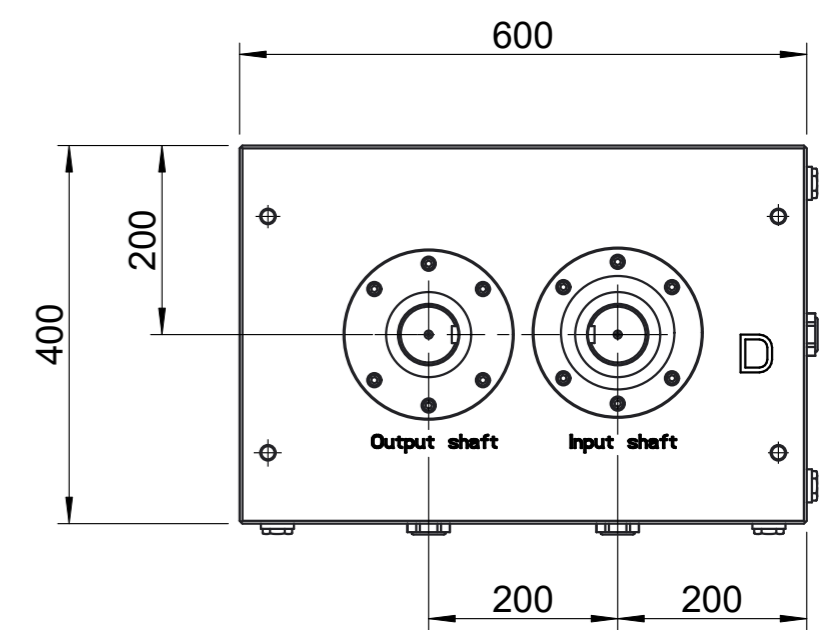
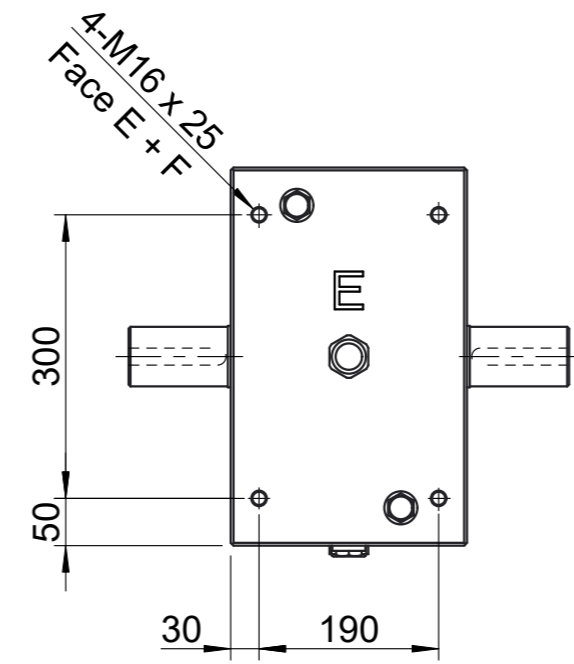
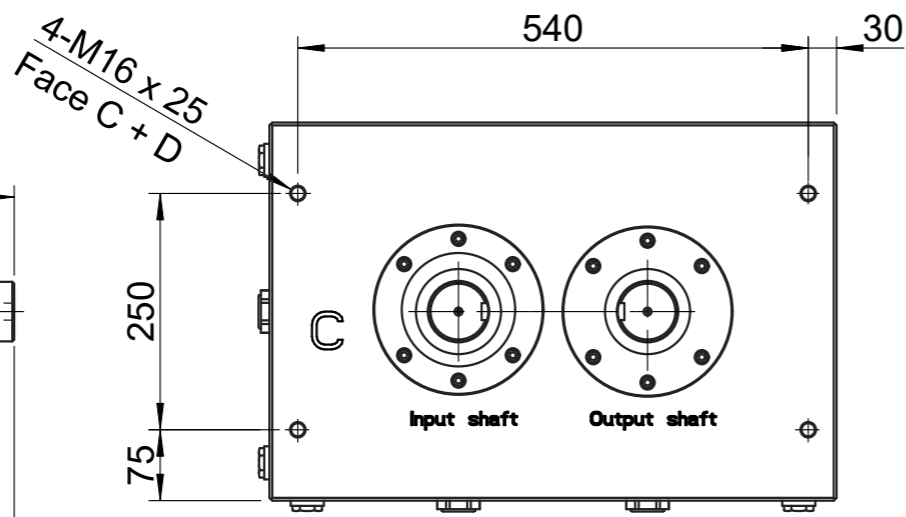
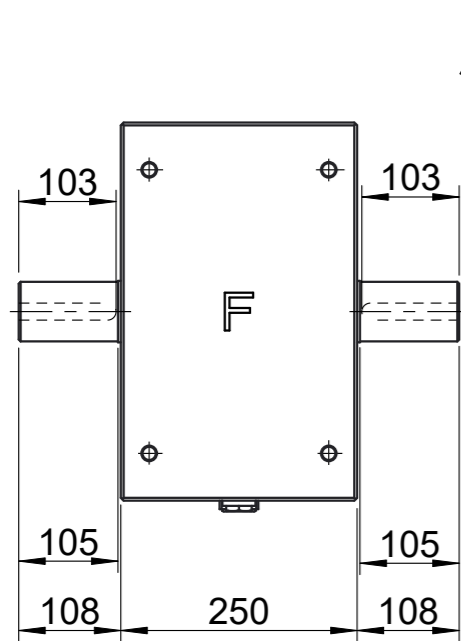
C

B

A



Size	PC 200
No of stops	
Motion law	
Index angle	
Cam geometry	
Cam type	
Cam handing	
Mounting position	
Mounting face	
Input shaft projection	



Keyways will be in the position shown when cam is on the center of dwell. Input shaft may rotate in either direction and produces opposite output shaft rotation.

Shaft projections 1 and 8 are standard.

	Masstab	Datum	Name	Material		
	1:8	30.06.21	ps	All. Toleranz	ISO2768-fH, ISO13920B	
				Ersetzt durch		
				Ersatz für		
				Gew. in kg: 0.000		
h					Indexer PC200	
g						
f						
e						
d						
c						
b				Witzbergstr. 23	Blatt 1	
a				CH-8330 Pfäffikon		
Nr.	Änderung	Datum	Name	Schutzvermerk n. DIN 34 beach.	EDV Nr. PC200	1 Bl
						A3