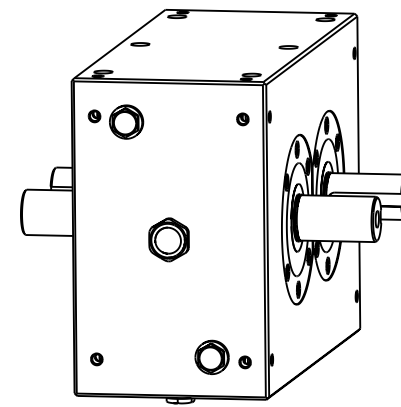
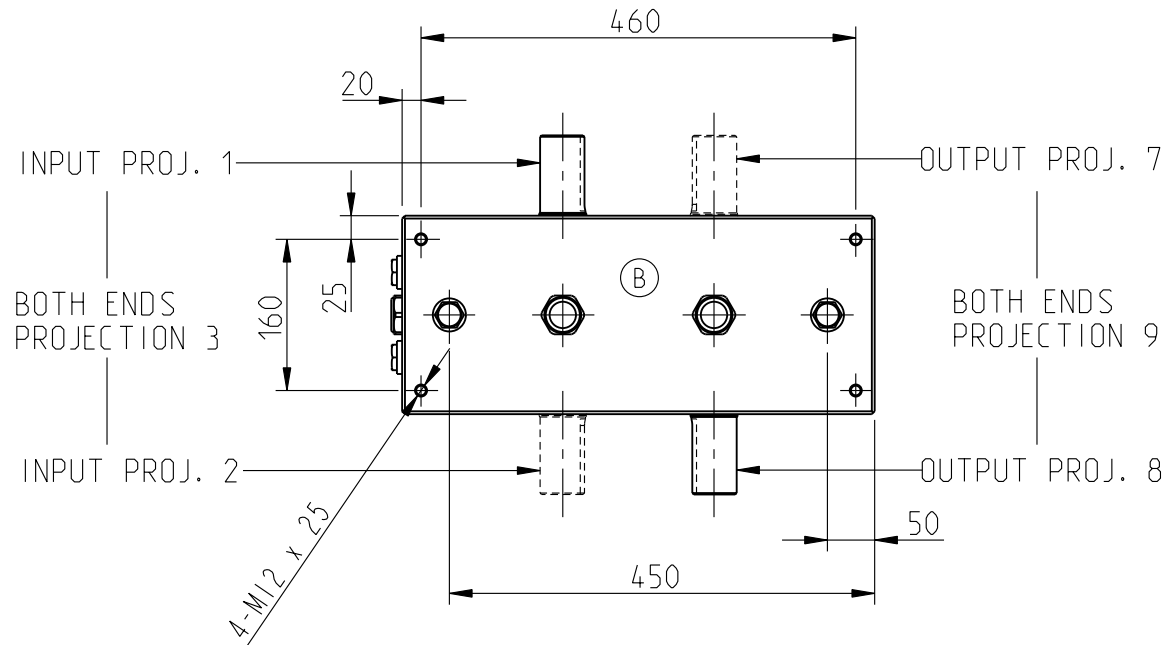
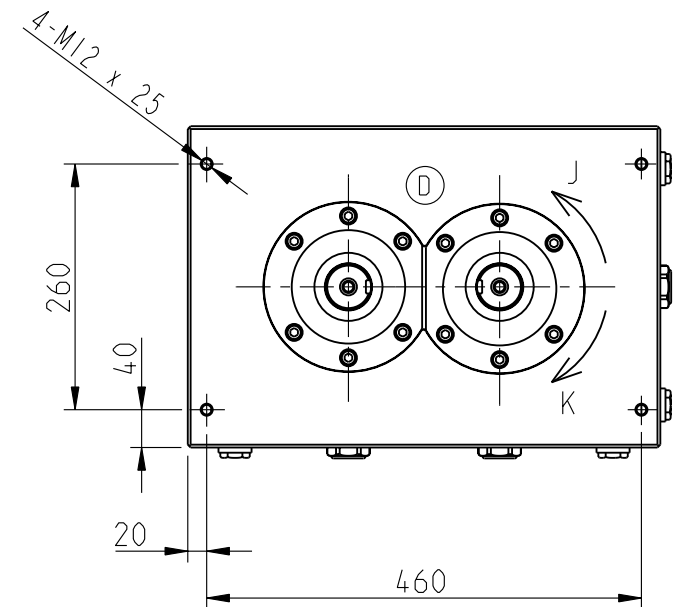
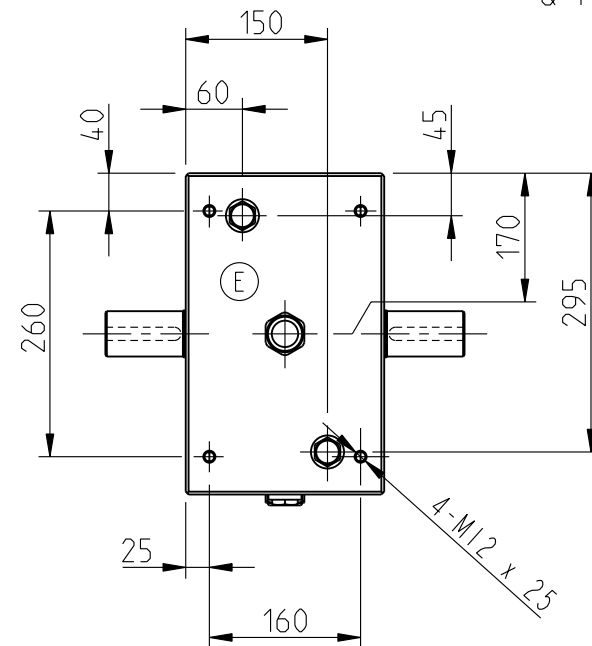
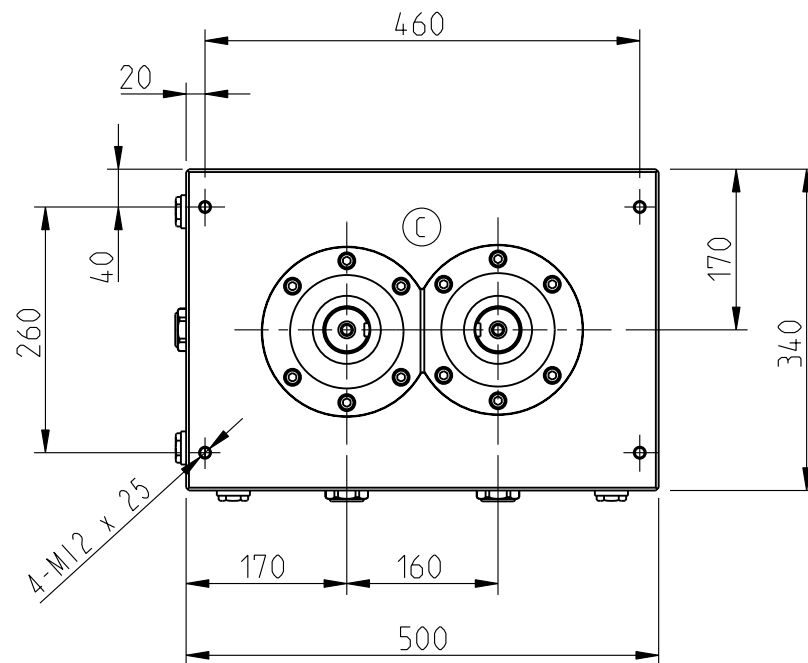
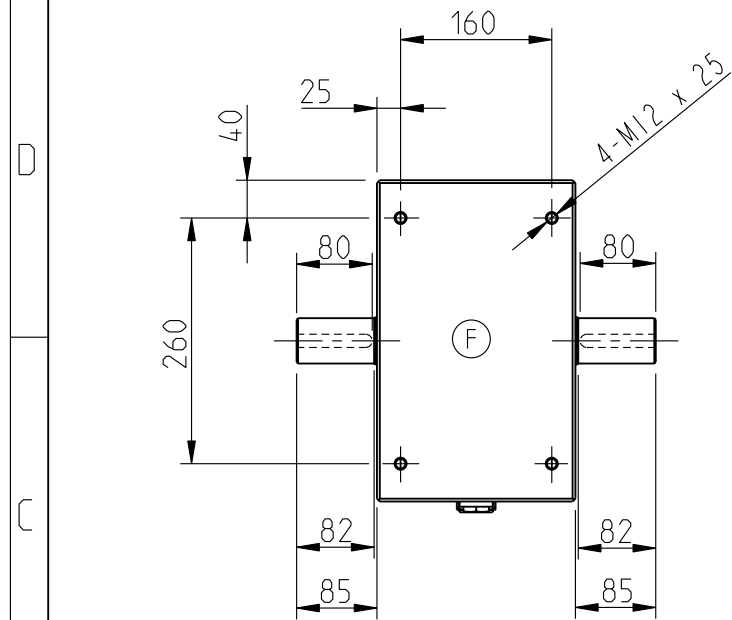


SECTION X-X (SCALE 1:2)  
INPUT SHAFT

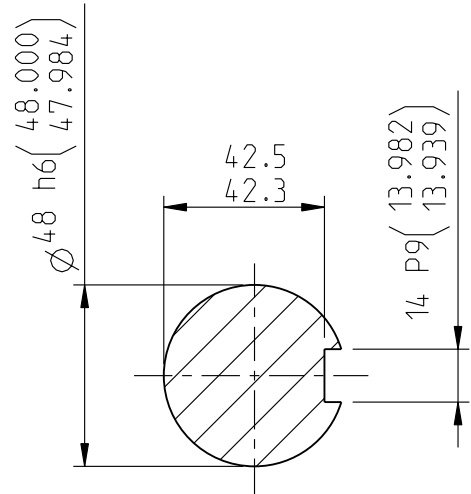


KEYWAYS WILL BE IN THE POSITION SHOWN WHEN CAM IS ON THE CENTRE OF DWELL. INPUT SHAFT MAY ROTATE IN EITHER DIRECTION & PRODUCES OPPOSITE OUTPUT SHAFT ROTATION.

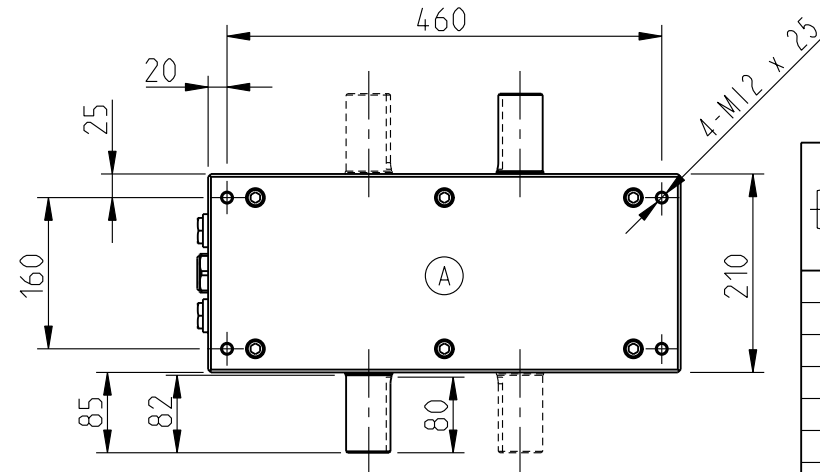
SIZE	PC 160
No OF STOPS	
MOTION LAW	
INDEX ANGLE	
CAM GEOMETRY	
CAM TYP	
CAM HANDING	
MOUNTING POS.	
MOUNTING FACE	
INPUT SHAFT P.	



NOTE!  
THE OIL PLUGS HAVE BEEN SHOWN FOR ALL POSSIBLE MOUNTING POSITIONS. IN A STANDARD UNIT THERE WILL BE 3 OIL PLUGS ON ANY ONE FACE. SHAFT PROJECTIONS 1 & 8 ARE STANDARD.



SECTION Y-Y (SCALE 1:2)  
OUTPUT SHAFT



		Massstab	Datum	Name	Material	
Bearb.					All. Toleranz SN 258440-f	
Gepr.					Ersetzt durch	
Plot					Ersatz fuer	
h					<b>Inmara</b> Successful Solutions PC 160 INDEXER INSTALLATION DRAWING PC 160_CATALOG	
g						
f						
e						
d						
c						
b						
a						
Nr.	Aenderung	Datum	Name	Schutzvermerk n. DIN 34 beach.		EDV Nr. PC 160_CATALOG
						Blatt 1
					1 BL	

**Inmara**  
Successful Solutions

Witzbergstr. 23  
CH-8330 Pfaeffikon

PC 160 INDEXER  
INSTALLATION DRAWING

PC 160\_CATALOG

Blatt 1

1 BL