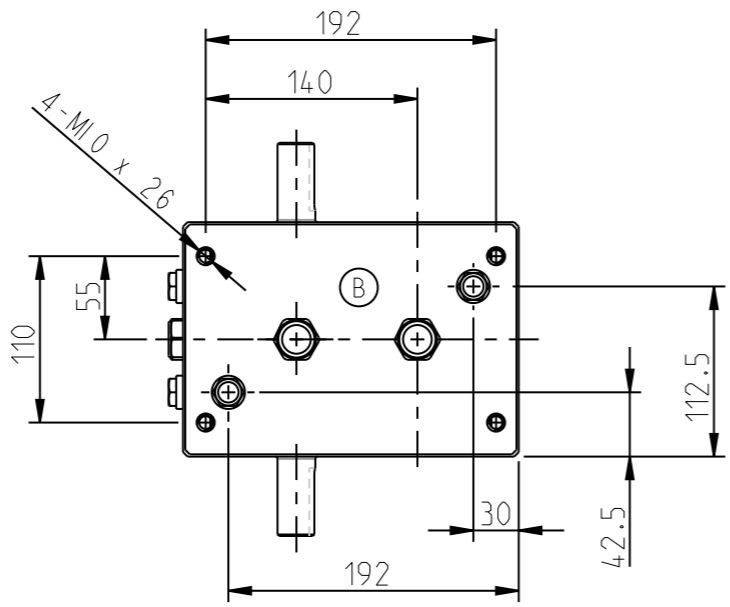
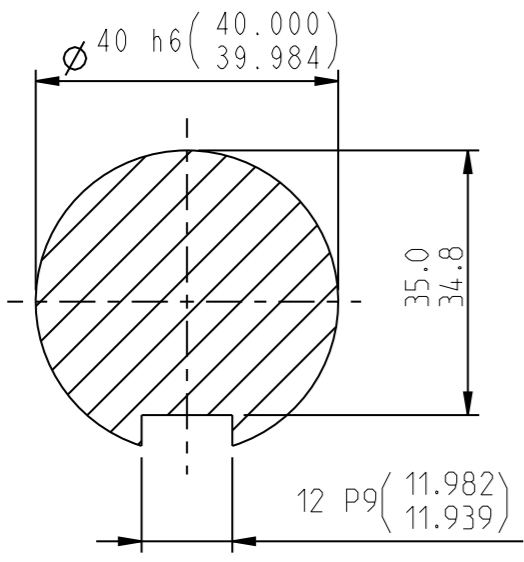
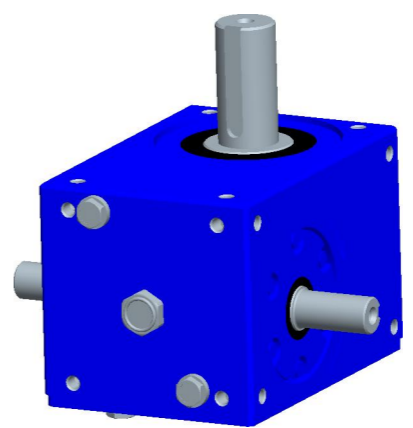
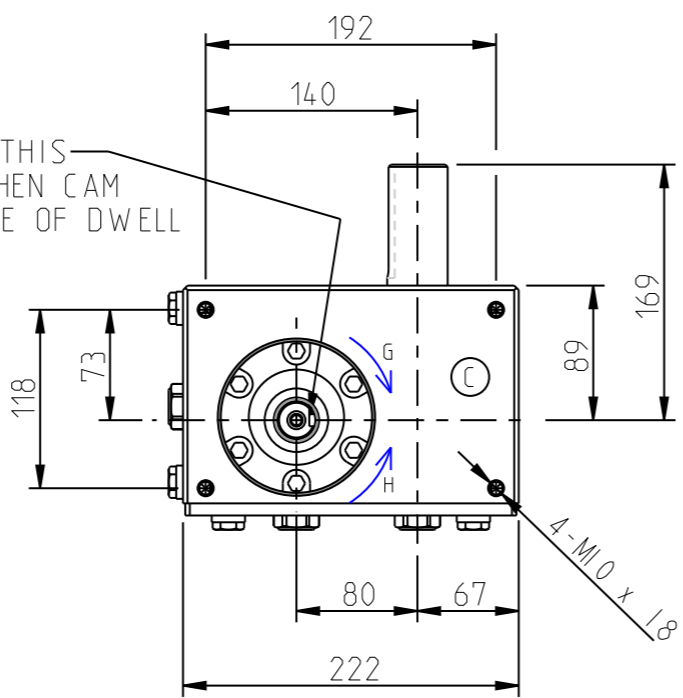
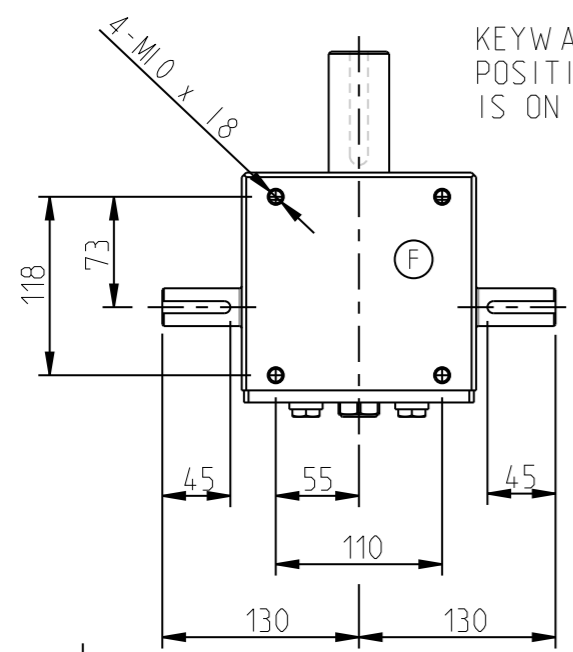


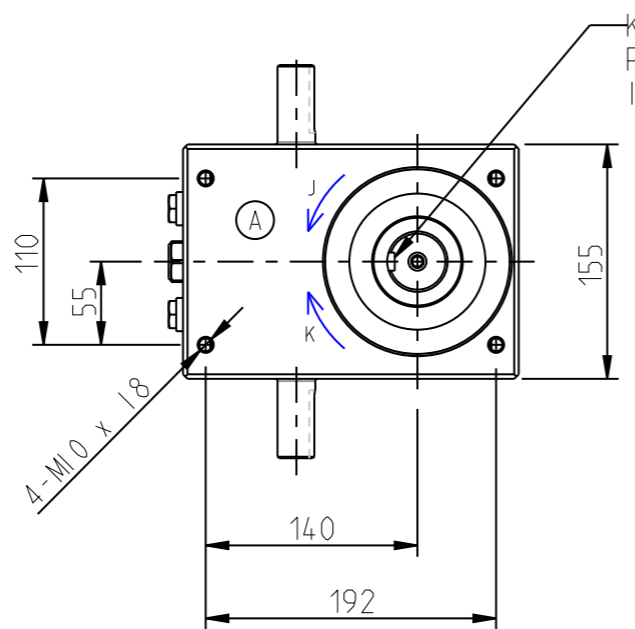
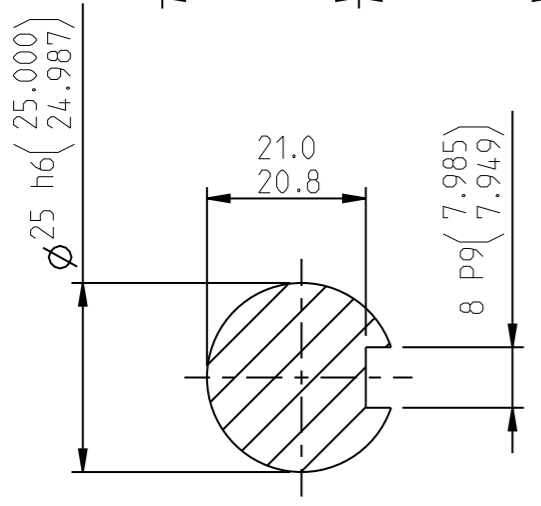
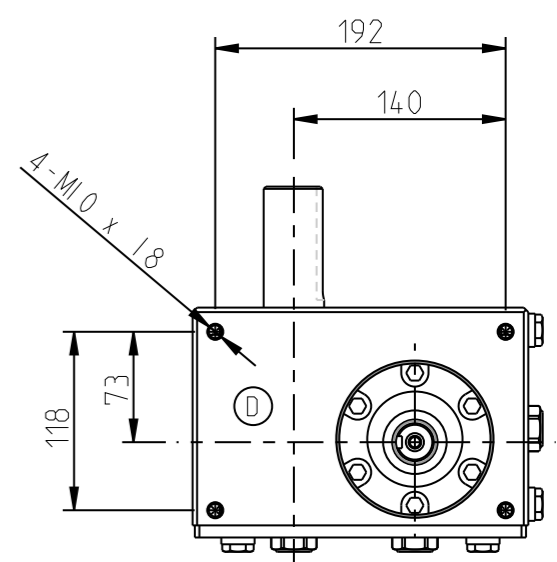
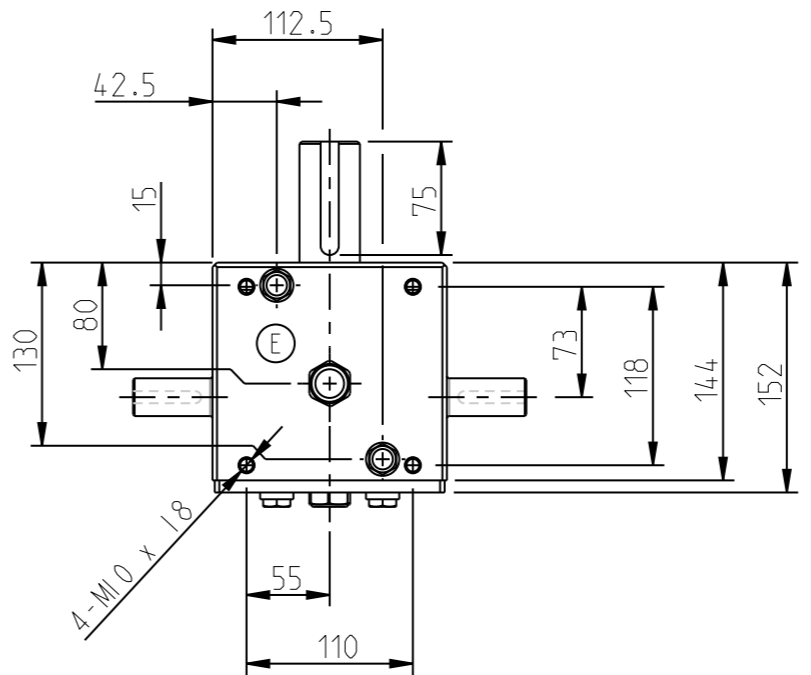
SIZE	GC80
No OF STOPS	
MOTION LAW	
INDEX ANGLE	
CAM GEOMETRY	
CAM TYP	
CAM HANDING	
MOUNTING POS.	
MOUNTING FACE	
INPUT SHAFT P.	



SECTION Y-Y (SCALE 1:1)  
THRO' OUTPUT SHAFT



KEYWAY IN THIS POSITION WHEN CAM IS ON CENTRE OF DWELL



KEYWAY IN THIS POSITION WHEN CAM IS ON CENTRE OF DWELL

NOTE!  
THE OIL PLUGS HAVE BEEN SHOWN FOR ALL POSSIBLE MOUNTING POSITIONS.  
IN A STANDARD UNIT THERE WILL BE 3 OIL PLUGS ON ANY ONE FACE.

	Massstab	Datum	Name	Material	
	1:5	21.09.07		All. Toleranz	SN 258440-f
				Ersetzt durch	
				Ersatz fuer	
h					
g					
f					
e					
d					
c					
b					
a				GC80 INDEXER	
				INSTALLATION DRAWING	
				Witzbergstr. 23	
				CH-8330 Pfaeffikon	
				GC80 CATALOG	Blatt 1
Nr.	Aenderung	Datum	Name	Schutzvermerk n. DIN 34 beach.	EDV Nr. GC80_CATALOG
					1 BL