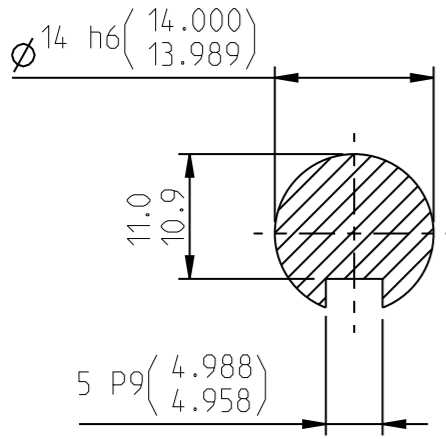
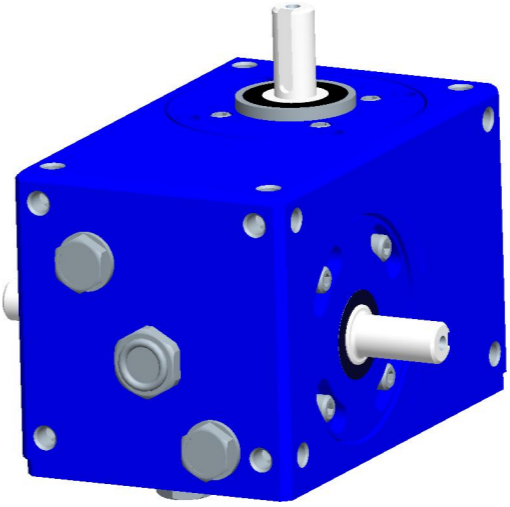
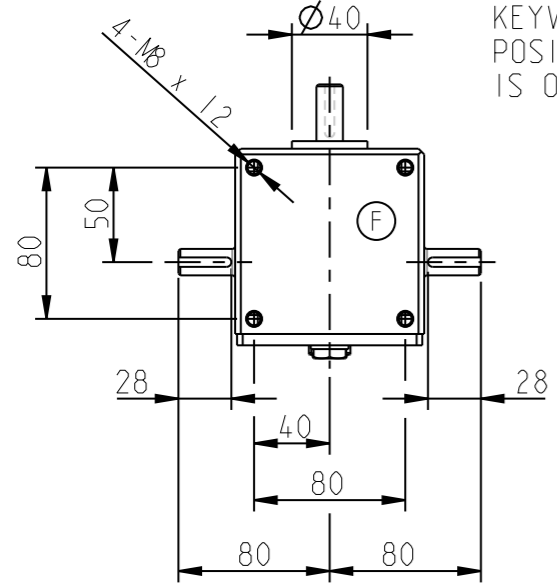
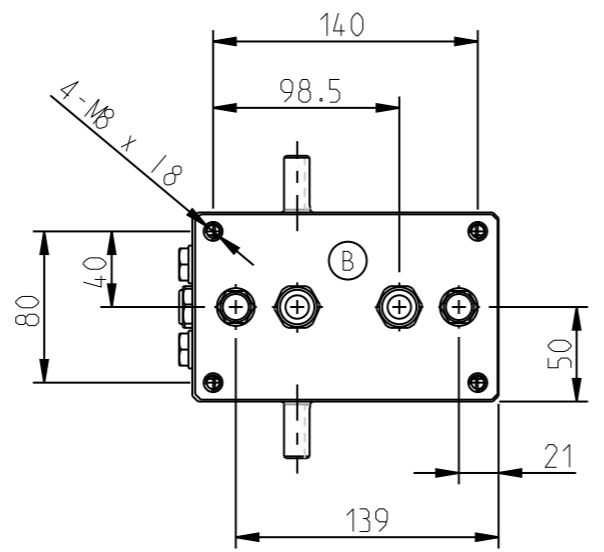


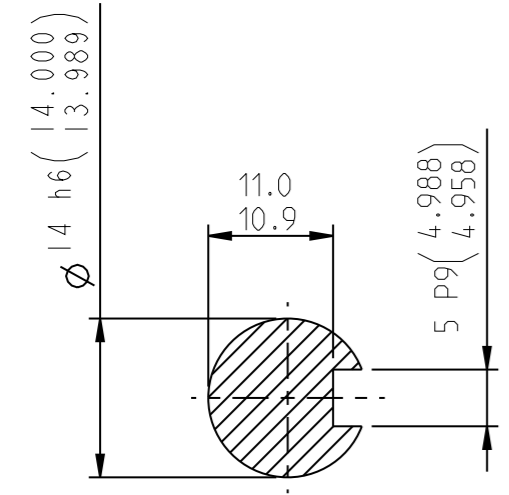
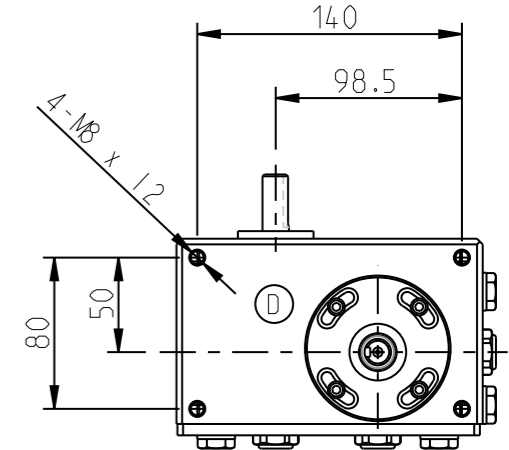
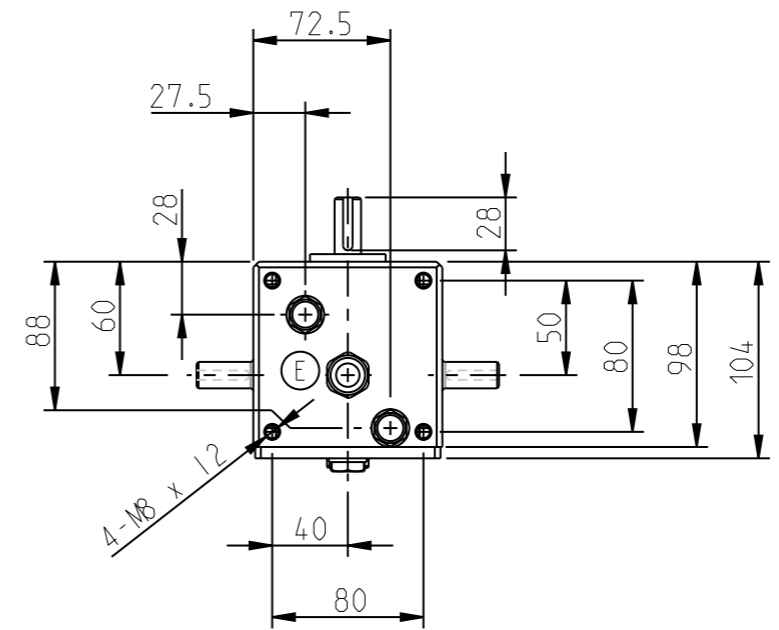
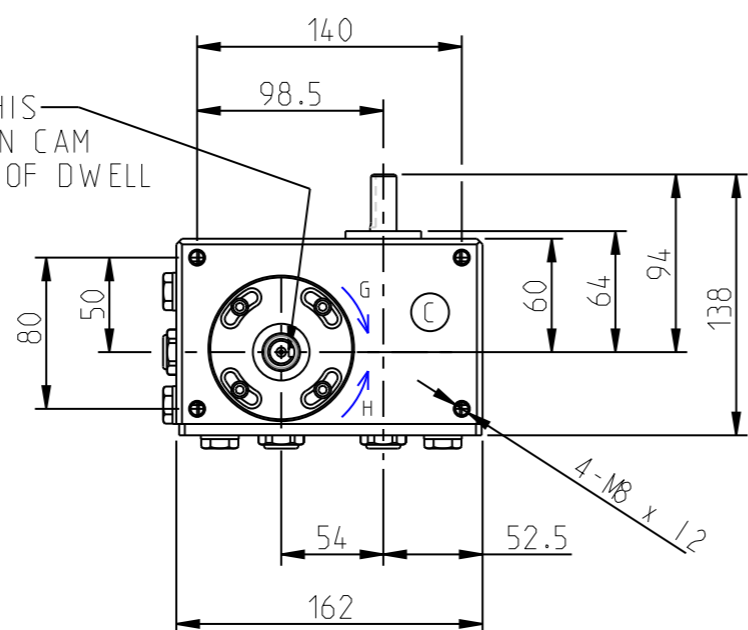
SIZE	GC50
No OF STOPS	
MOTION LAW	
INDEX ANGLE	
CAM GEOMETRY	
CAM TYP	
CAM HANDING	
MOUNTING POS.	
MOUNTING FACE	
INPUT SHAFT P.	



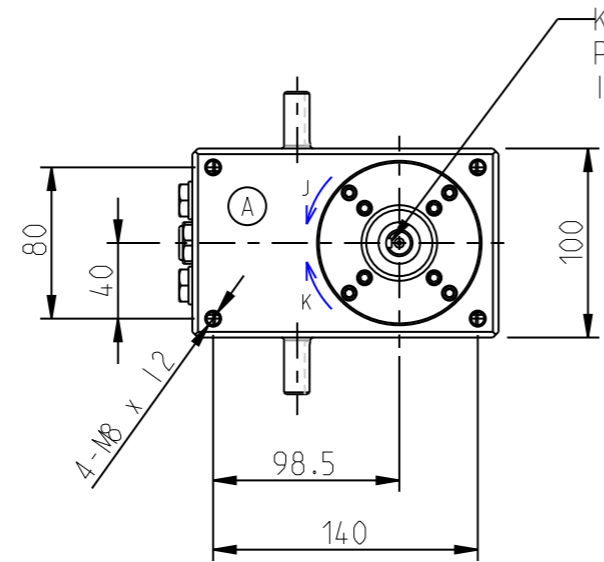
SECTION T-T (SCALE 3:2)
THRO' OUTPUT SHAFT



KEYWAY IN THIS POSITION WHEN CAM IS ON CENTRE OF DWELL



SECTION X-X (SCALE 3:2)
TYP. SECTION THRO'
INPUT SHAFTS



KEYWAY IN THIS POSITION WHEN CAM IS ON CENTRE OF DWELL

NOTE!
THE OIL PLUGS HAVE BEEN SHOWN FOR ALL POSSIBLE MOUNTING POSITIONS.
IN A STANDARD UNIT THERE WILL BE 3 OIL PLUGS ON ANY ONE FACE.

	Massstab	Datum	Name	Material		
	1:4	21.09.07		All. Toleranz	SN 258440-f	
				Ersetzt durch		
				Ersatz fuer		
h						
g						
f						
e						
d						
c						
b				GC50 INDEXER	Blatt 1	
a				INSTALLATION DRAWING		
Nr.	Aenderung	Datum	Name	Witzbergstr. 23 CH-8330 Pfaeffikon	GC50 CATALOG	
				Schutzvermerk n. DIN 34 beach.	EDV Nr. GC50_CATALOG	1 BL