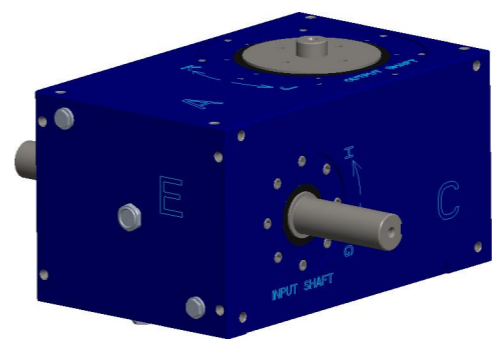
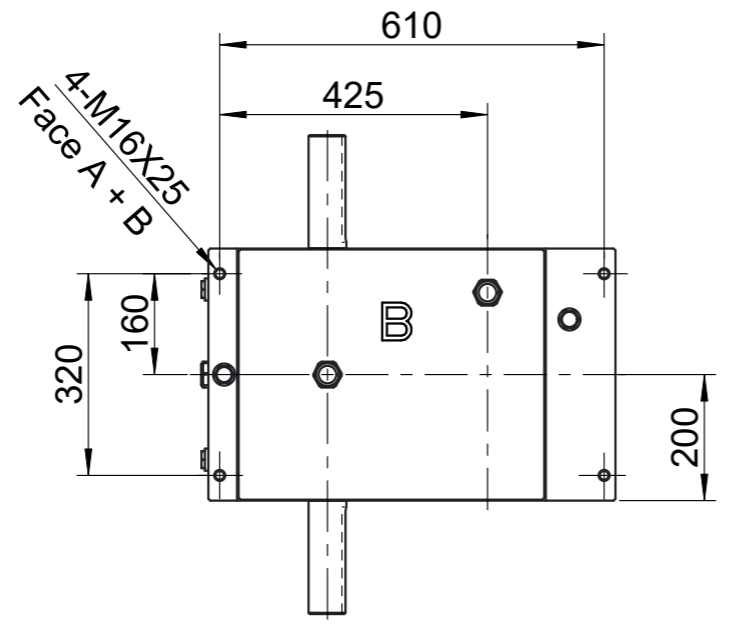
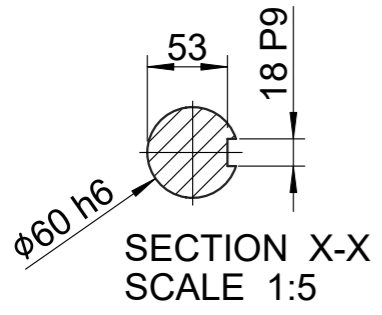


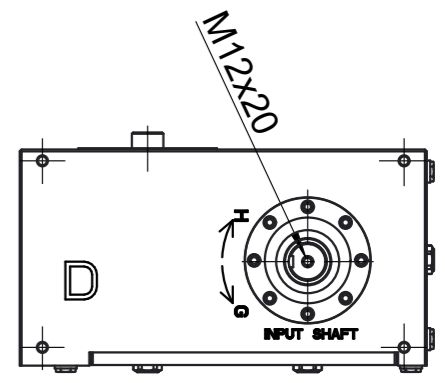
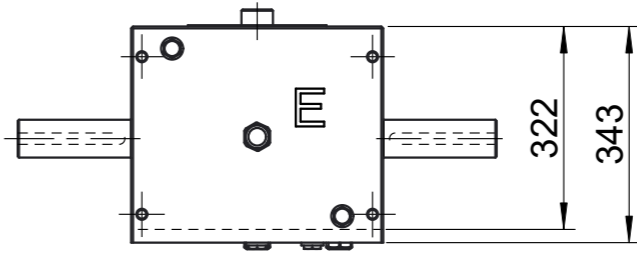
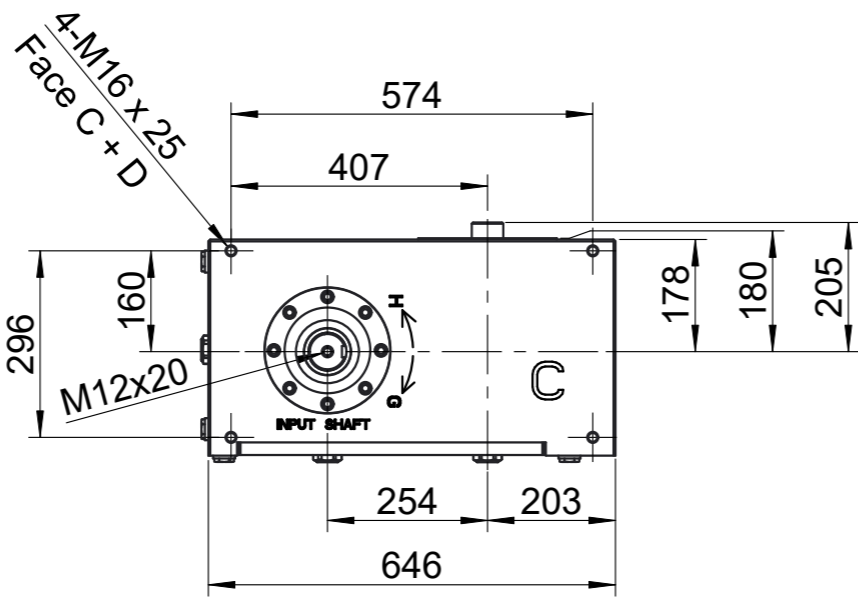
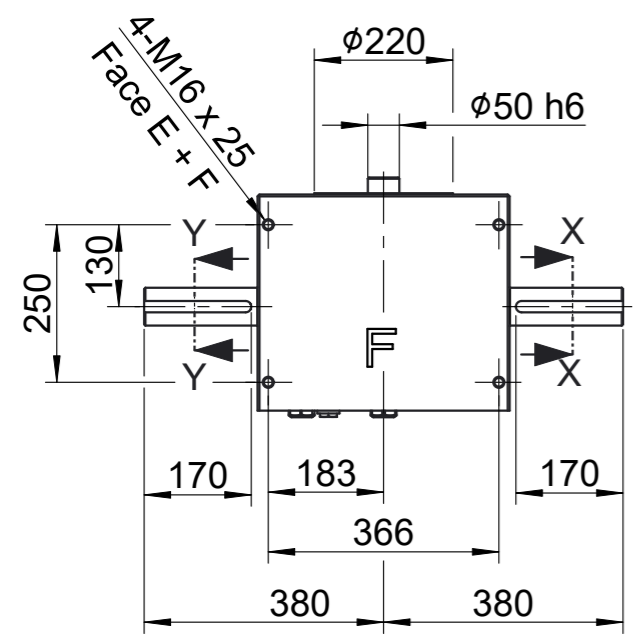
Size	GC250
No of stops	
Motion law	
Index angle	
Cam geometry	
Cam type	
Cam handing	
Mounting position	
Mounting face	
Input shaft projection	

F



E

D

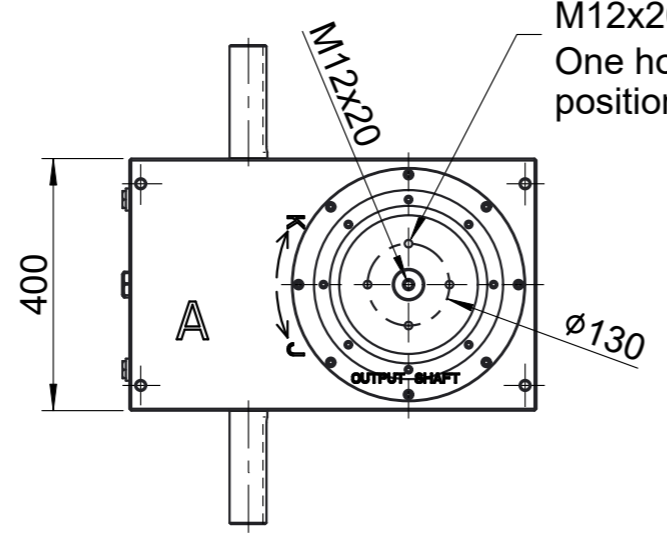
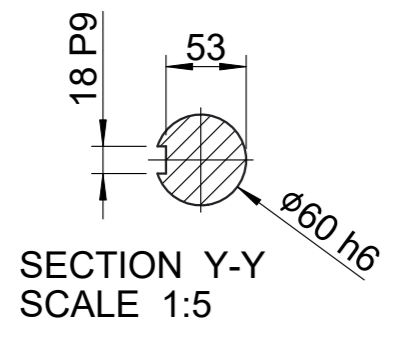


C

Keyways will be in the position shown when cam is on the center of dwell.

B

M12x20
One hole will appear in this position when cam is on dwell



A

	Masstab	Datum	Name	Material	Indexer GC250	Blatt 1 1 Bl A3
	1:12	24.06.21	ps	ISO2768-fH, ISO13920B		
h				All. Toleranz	Inmara Successful Solutions	Witzbergstr. 23 CH-8330 Pfäffikon
g				Ersetzt durch		
f				Gew. in kg: 0.000	Ersatz für	
e						
d						
c						
b						
a						
Nr.	Änderung	Datum	Name	Schutzvermerk n. DIN 34 beach.	EDV Nr. GC250	