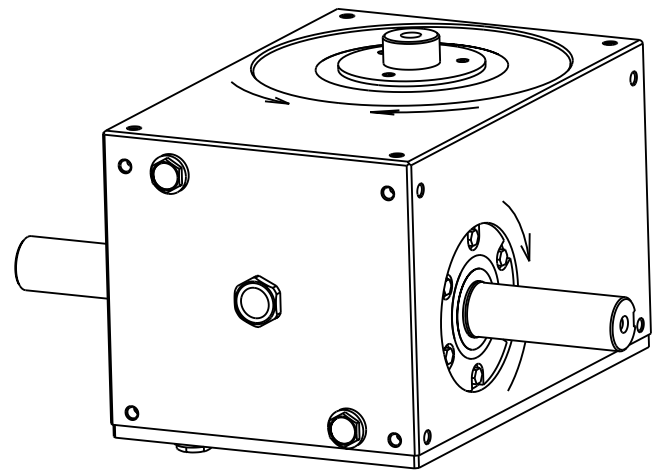
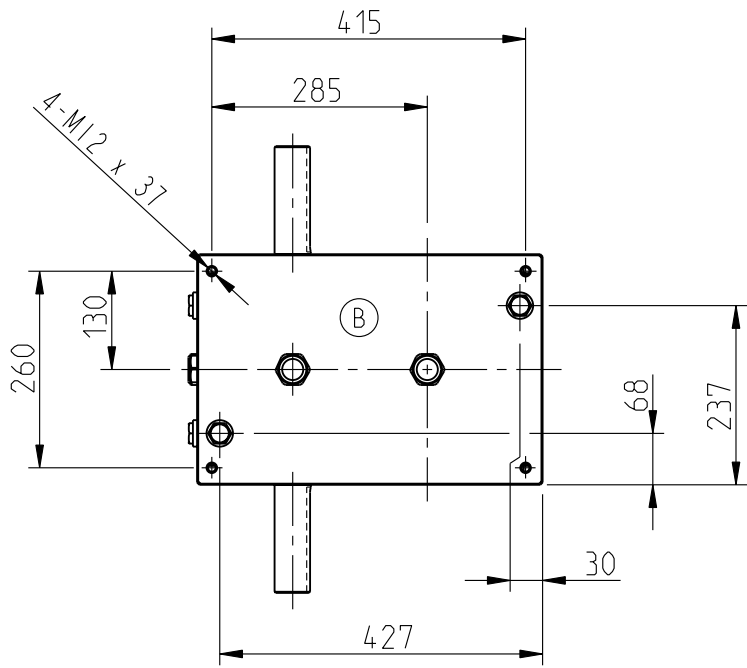
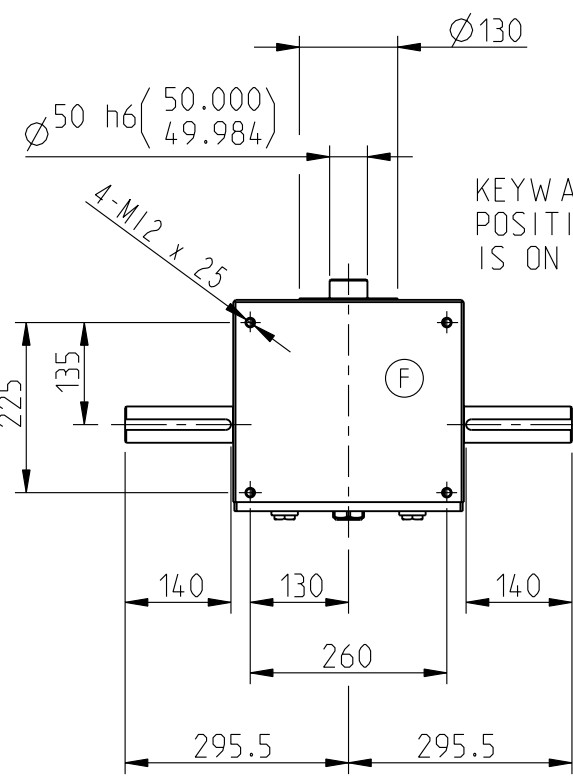


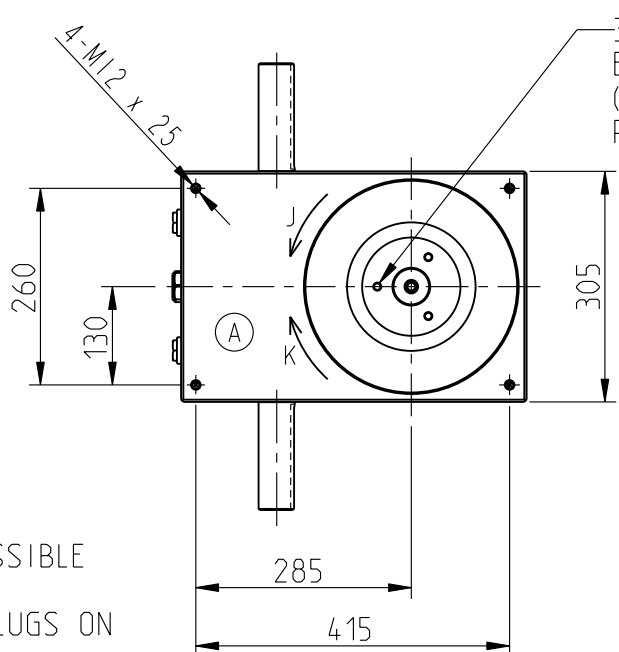
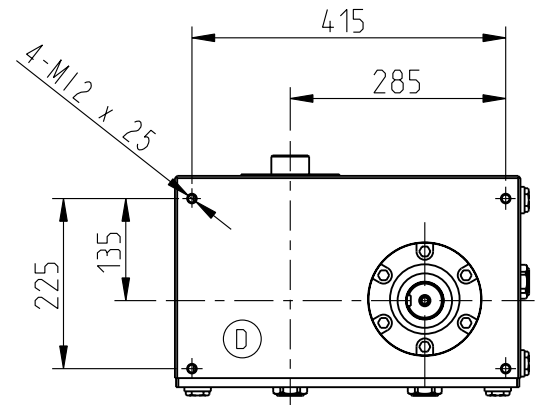
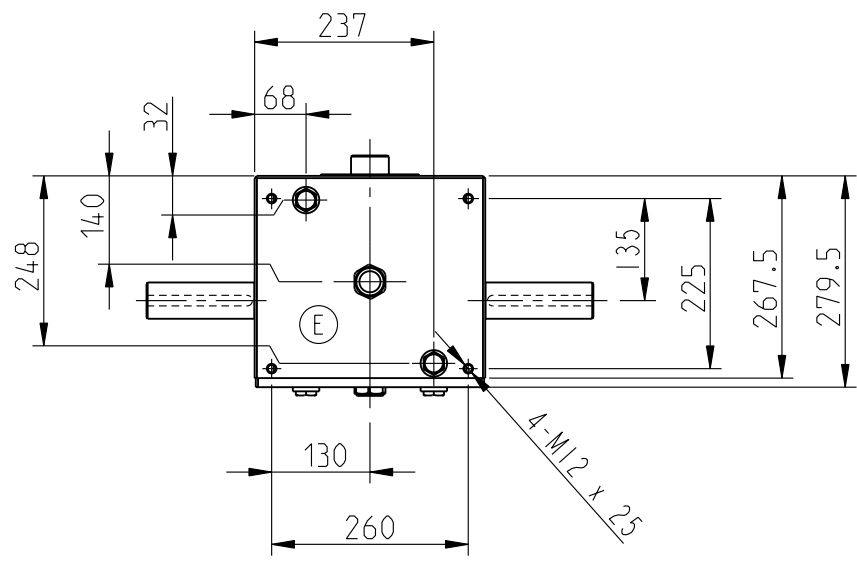
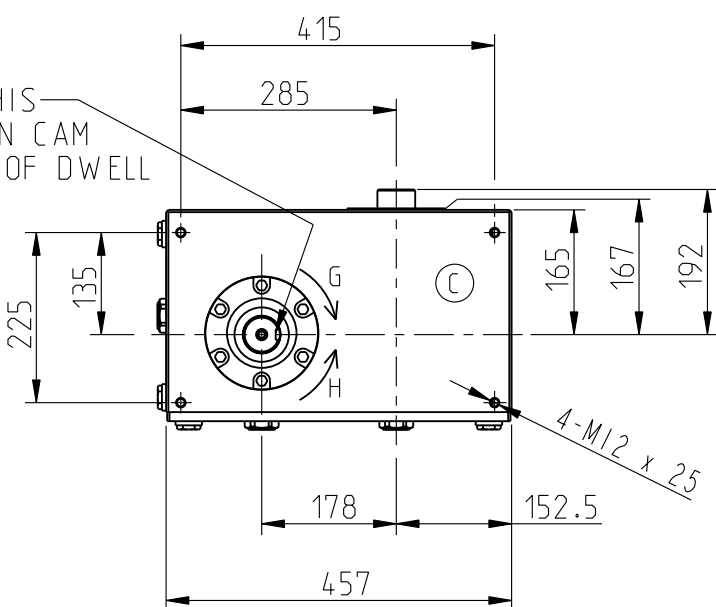
SECTION X-X (SCALE 1:2)
TYP. SECTION THRO'
INPUT SHAFTS



SIZE	GC 180
No OF STOPS	
MOTION LAW	
INDEX ANGLE	
CAM GEOMETRY	
CAM TYP	
CAM HANDING	
MOUNTING POS.	
MOUNTING FACE	
INPUT SHAFT P.	



KEYWAY IN THIS POSITION WHEN CAM IS ON CENTRE OF DWELL



3-HOLES TAPPED M10 x 20 DEEP
EQUI-SPACED ON 90 P.C.D.
(A TAPPED HOLE WILL APPEAR IN THIS
POSITION WHEN CAM IS ON DWELL)

NOTE!
THE OIL PLUGS HAVE BEEN SHOWN FOR ALL POSSIBLE
MOUNTING POSITIONS.
IN A STANDARD UNIT THERE WILL BE 3 OIL PLUGS ON
ANY ONE FACE.

		Masstab	Datum	Name	Material
Bearb.					All. Toleranz SN 258440-f
Gepr.					Ersetzt durch
Plot					Ersatz fuer
h					
g					
f					
e					
d					
c					
b					GC 180 INDEXER
a					INSTALLATION DRAWING
Nr.	Aenderung	Datum	Name	Schutzvermerk n. DIN 34 beach.	EDV Nr. GC 180_CATALOG
					GC 180_CATALOG
					Blatt 1
					1 BL

Witzbergstr. 23
CH-8330 Pfaeffikon