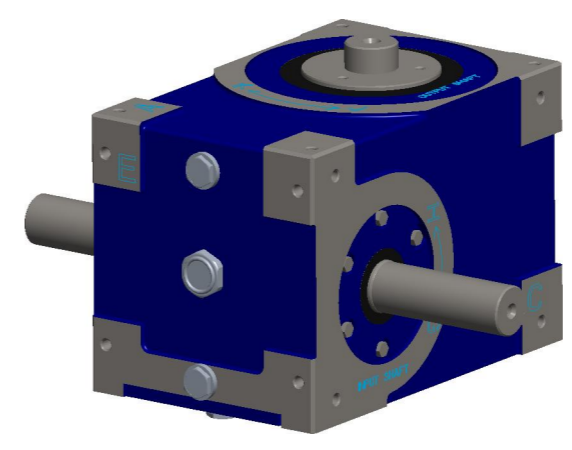
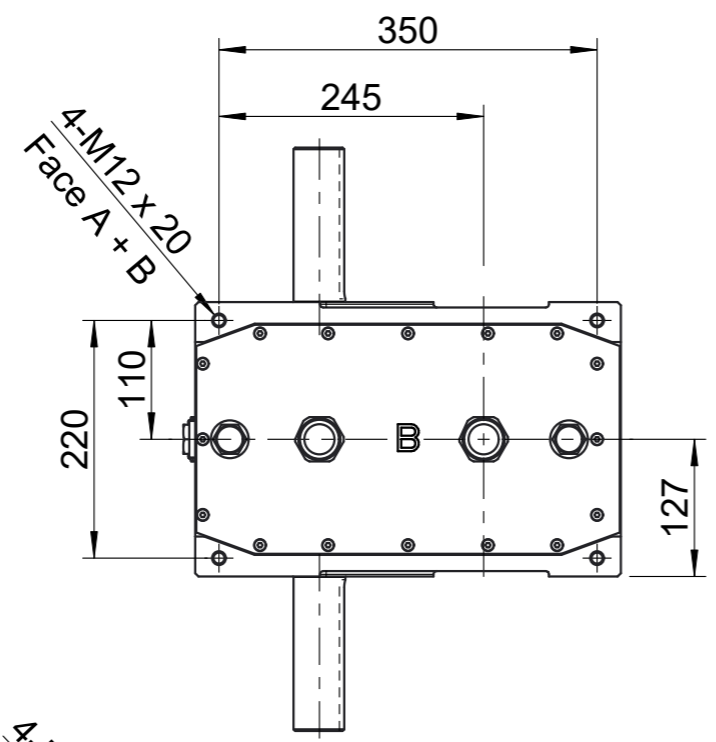
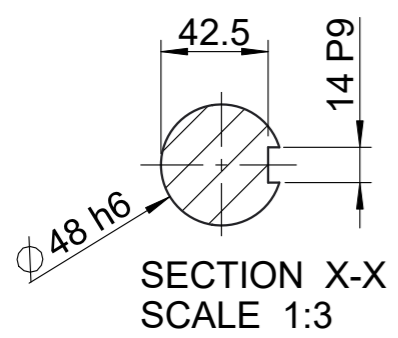
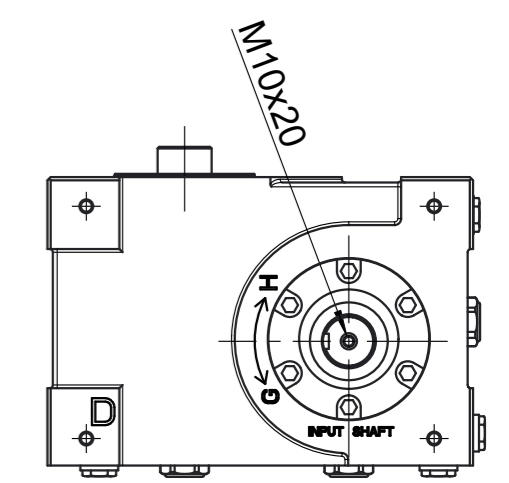
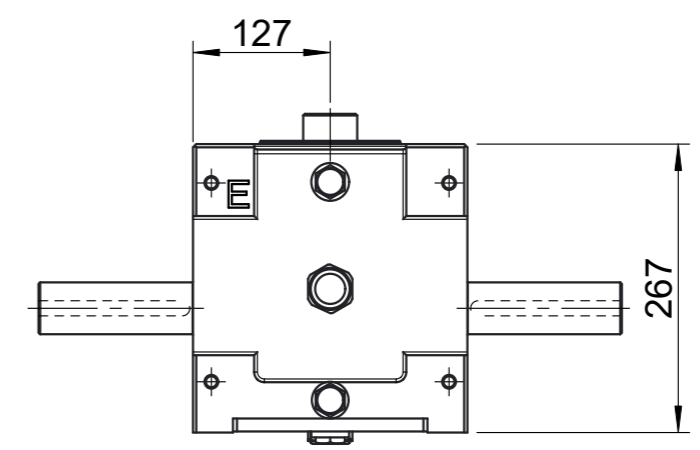
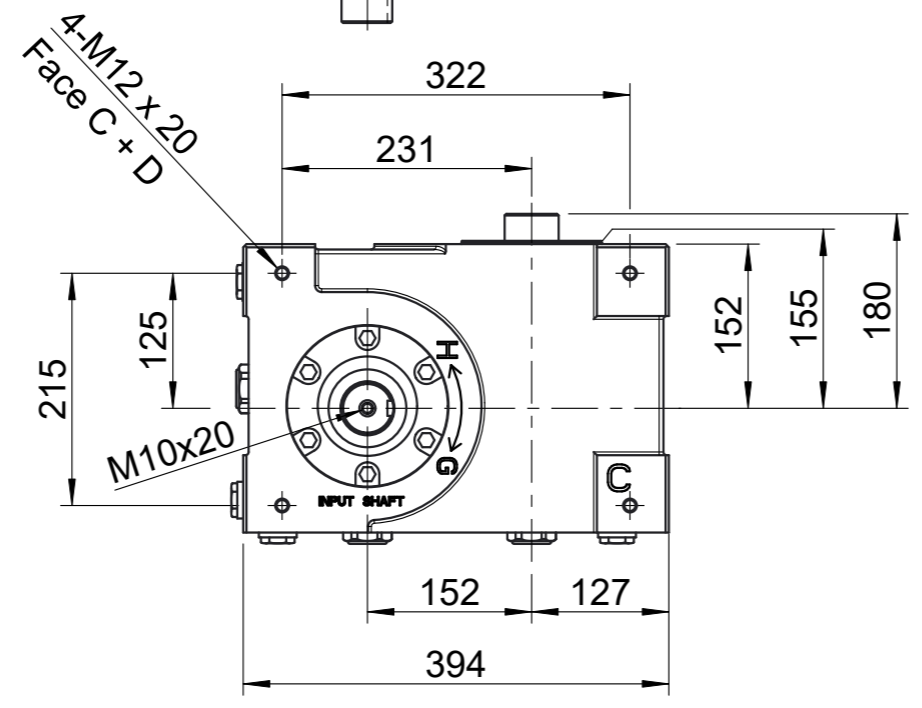
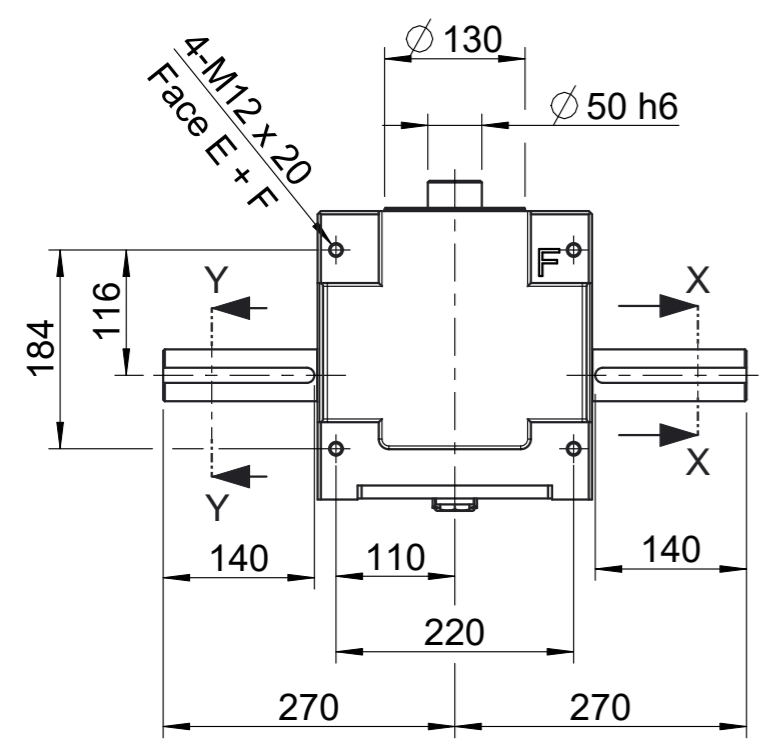


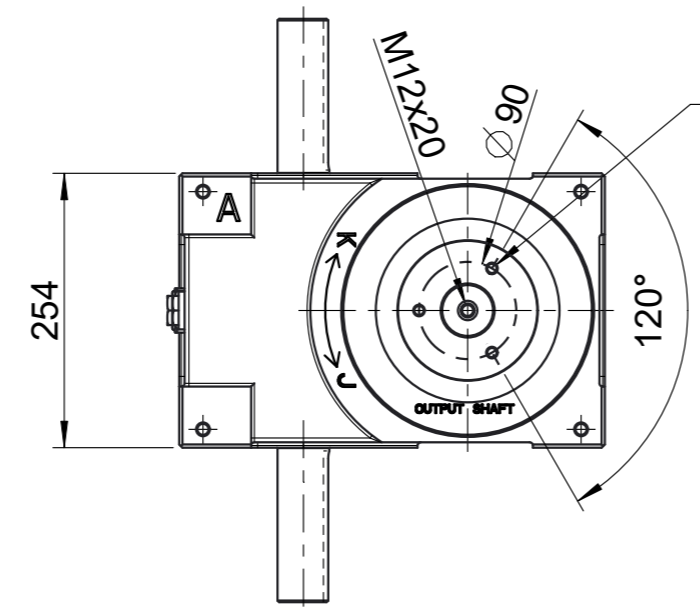
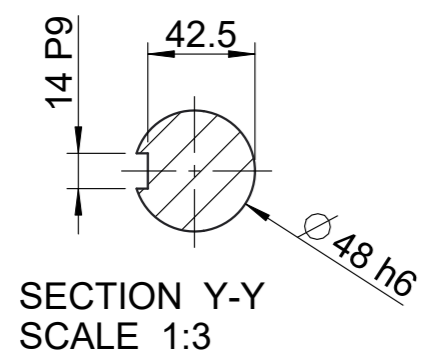
F
E
D
C
B
A



Size	GC150
No of stops	
Motion law	
Index angle	
Cam geometry	
Cam type	
Cam handing	
Mounting position	
Mounting face	
Input shaft projection	



Keyways will be in the position shown when cam is on the center of dwell.



3-M10x20
One hole will appear in this position when cam is on dwell

h	g	f	e	d	c	b	a	Nr.	Änderung	Datum	Name	Masstab	Datum	Name	Material	Blatt 1 1 Bl A3
												1:7	05.07.21	ps	All. Toleranz ISO2768-fH, ISO13920B	
												Gew. in kg: 0.000	Ersatz für			
														Indexer GC150		
												Witzbergstr. 23 CH-8330 Pfäffikon				
												EDV Nr.	GC150			