

F

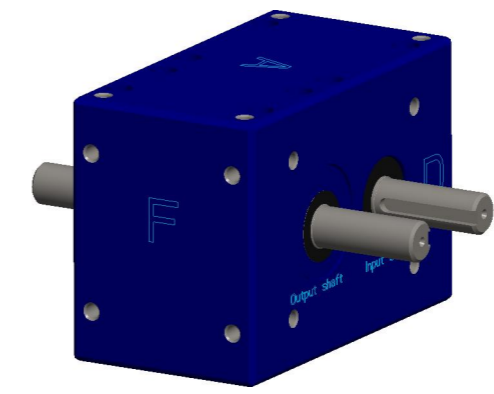
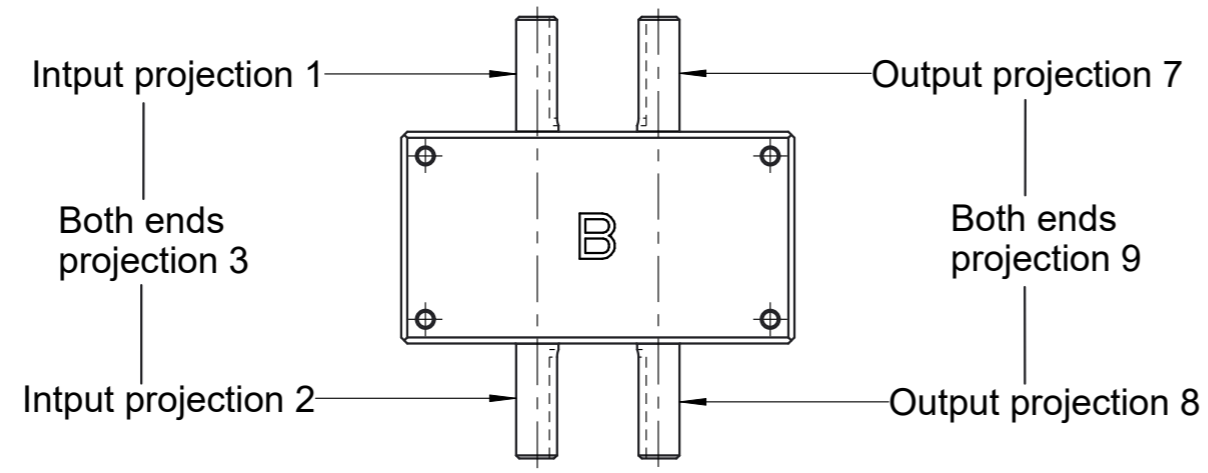
E

D

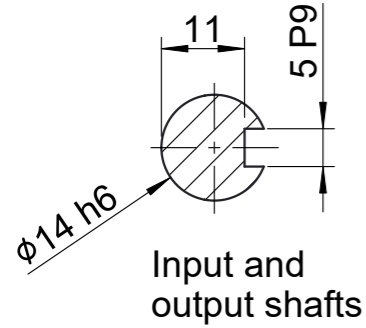
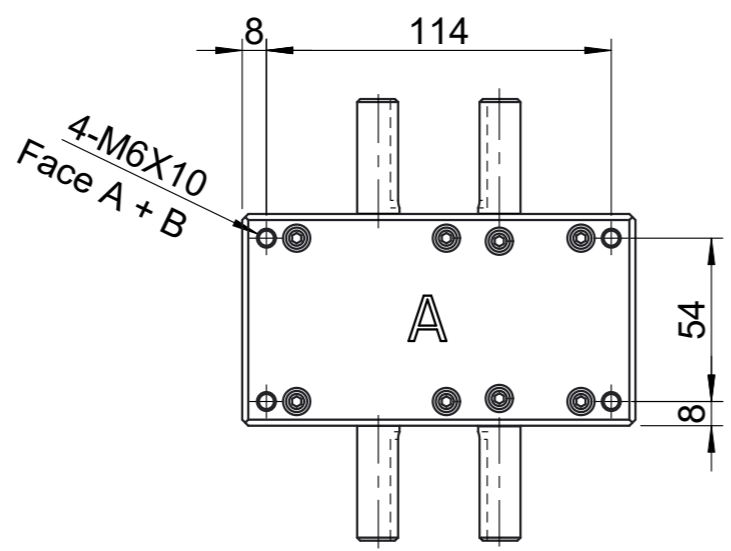
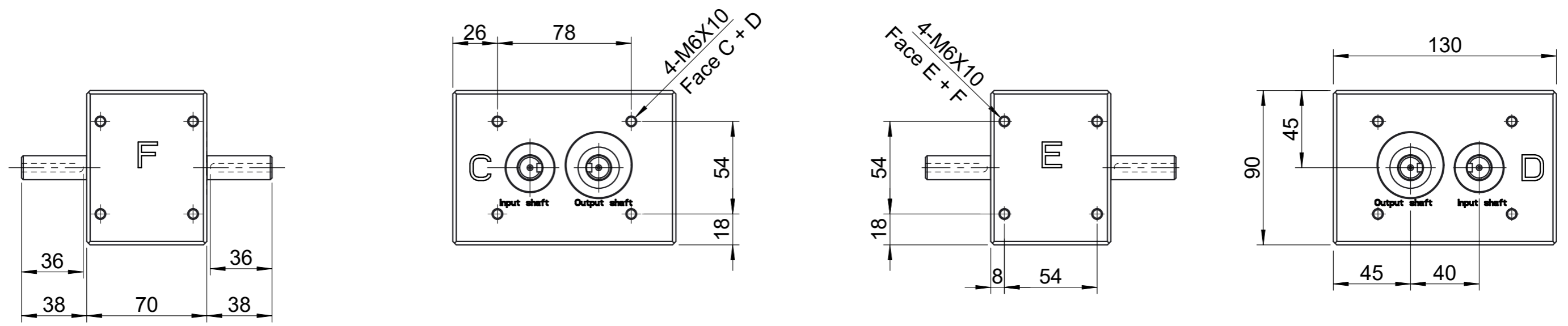
C

B

A



Size	PC 40
No of stops	
Motion law	
Index angle	
Cam geometry	
Cam Type	
Cam handing	
Mounting position	
Mounting face	
Input shaft projection	



Keyways will be in the position shown when cam is on the center of dwell. Input shaft may rotate in either direction and produces opposite output shaft rotation.

Shaft projections 1 and 8 are standard.

	Masstab	Datum	Name	Material	Inmara Successful Solutions Witzbergstr. 23 CH-8330 Pfäffikon	Indexer PC40	Blatt 1 1 Bl A3
	1:2.5	Bearb. 25.06.21 Gepr.	ps	All. Toleranz ISO2768-fH, ISO13920B Ersetzt durch Ersatz für			
h				Gew. in kg: 0.000			
g							
f							
e							
d							
c							
b							
a							
Nr.	Änderung	Datum	Name	Schutzvermerk n. DIN 34 beach.	EDV Nr.	PC-40	