

F

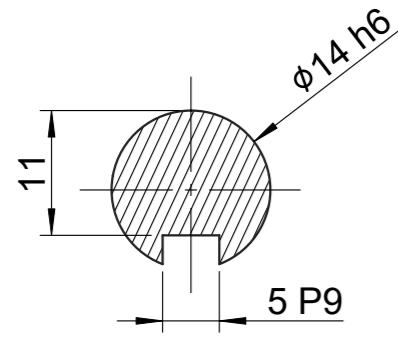
E

D

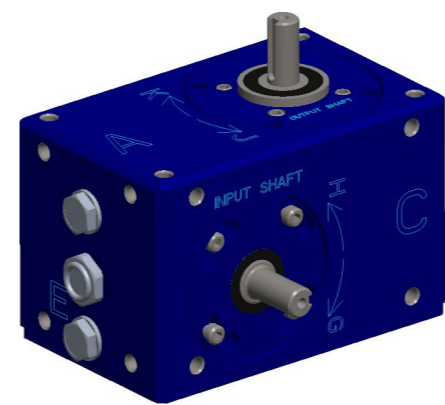
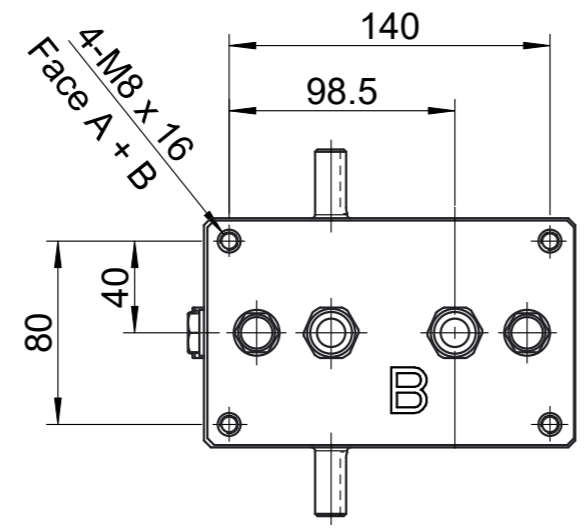
C

B

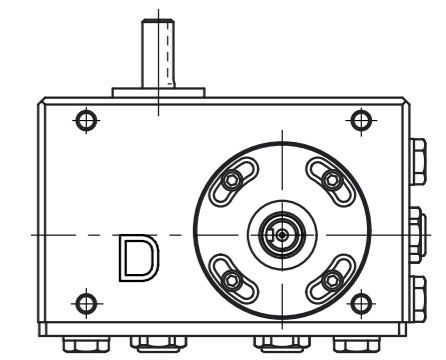
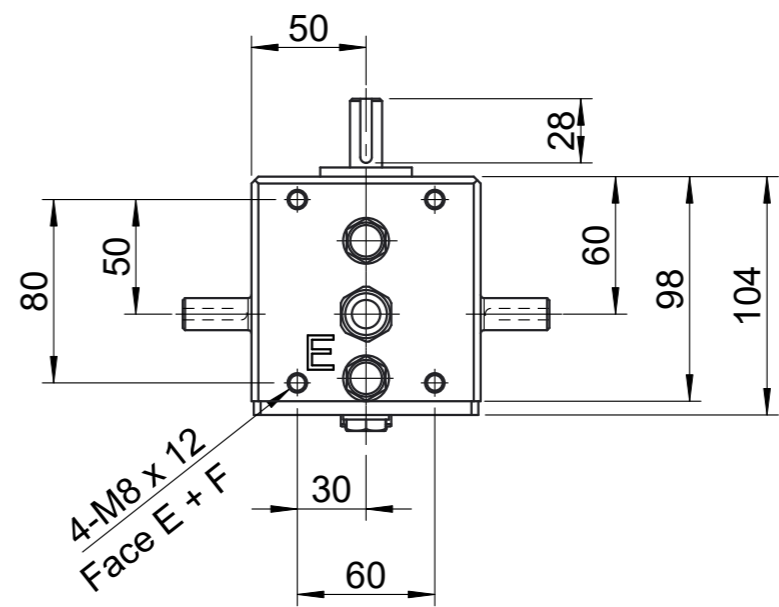
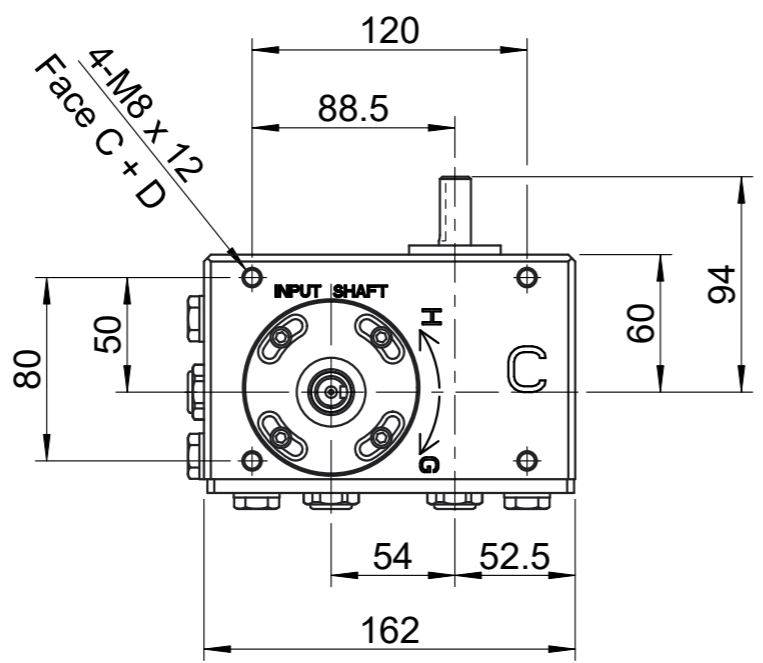
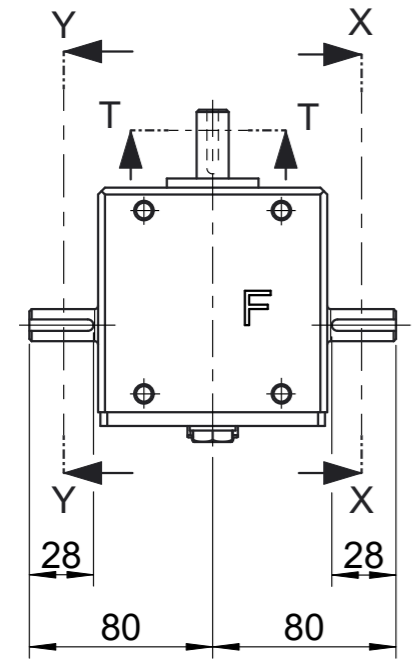
A



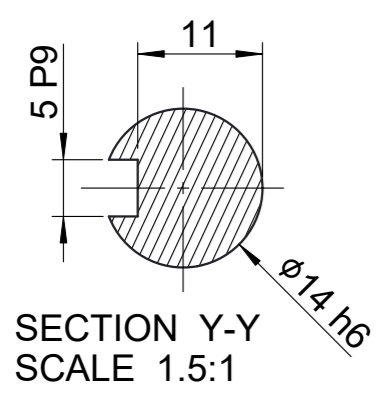
SECTION T-T
SCALE 1.5:1



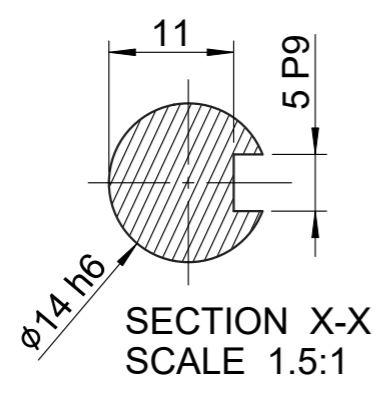
Size	GC50
No of stops	
Motion law	
Index angle	
Cam geometry	
Cam type	
Cam handing	
Mounting position	
Mounting face	
Input shaft projection	



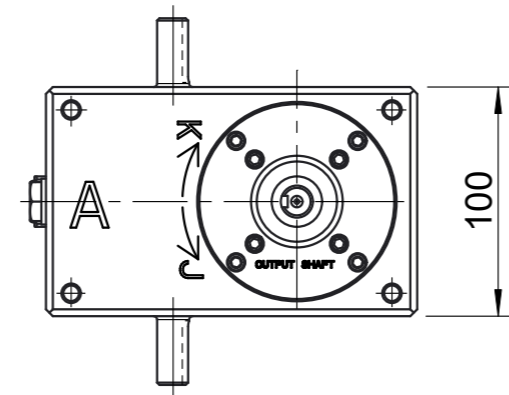
Keyways will be in the position shown when cam is on the center of dwell.



SECTION Y-Y
SCALE 1.5:1



SECTION X-X
SCALE 1.5:1



h	g	f	e	d	c	b	a	Nr.	Änderung	Datum	Name	Masstab	Datum	Name	Material	Blatt 1 1 Bl A3
												1:3.3	21.06.21	Philipp	All. Toleranz ISO2768-fH, ISO13920B	
												Gew. in kg:	Ersatz für			
														Indexer GC50		
												Witzbergstr. 23 CH-8330 Pfäffikon				
												Schutzvermerk n. DIN 34 beach.		EDV Nr. GC50		